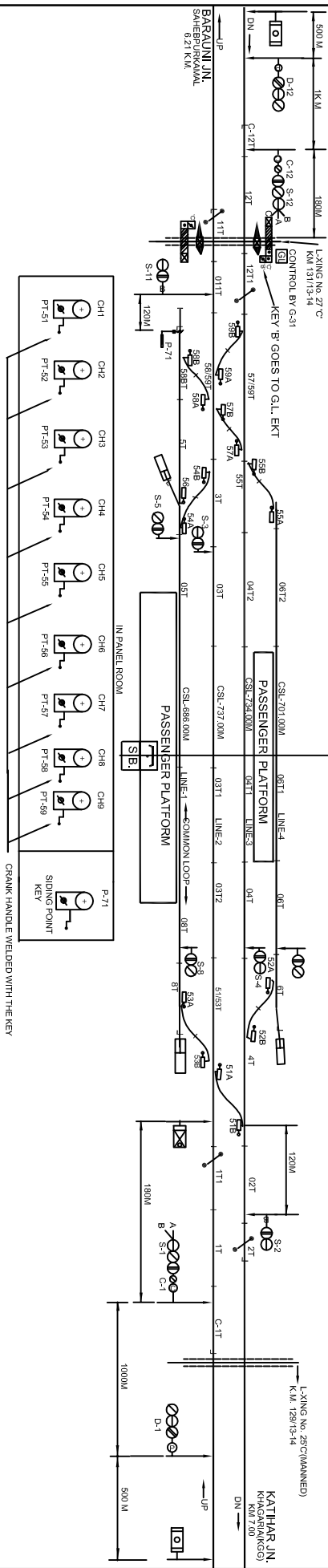
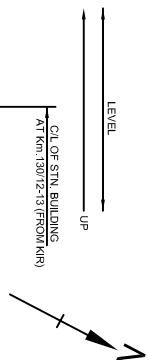
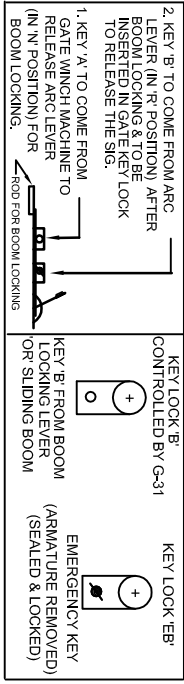


AT G.L. LC NO. 27C



- NOTE-
1. ABSOLUTE BLOCK SYSTEM OF WORKING WITH KHAGARIA & SAHEBPURKAMAL STATION.
 2. D.B.I WORKING WITH KHAGARIA & SAHEBPURKAMAL.
 3. MAGNETO TELEPHONE PROVIDED BETWEEN PANEL ROOM & GATE No. 27 & 25
 4. CONTROL TELEPHONE PROVIDED IN PANEL ROOM
 5. AXLE COUNTER PROVIDED FOR LAST VEHICLE VERIFICATION AND INTERLOCKED WITH BLOCK INSTT.
 6. PROVISION OF SLIDING BOOM IN ADDITION TO L.C. NO. 27C.

C/S	SA-233TE/EDR/SEE	EAST CENTRAL RAILWAY SAMPUR DIVISION	STATION WORKING RULE DIAGRAM MAQL STD-1(R) CLASS-B	UMESHNAGAR	SWRD NO. S.D/ST/SEE/2013(RD)/15
-----	------------------	---	---	------------	------------------------------------

ERROR: syntaxerror
OFFENDING COMMAND: --nostringval--

STACK:

/Title
()
/Subject
(D:20140707173944+05'30')
/ModDate
()
/Keywords
(PDFCreator Version 0.9.5)
/Creator
(D:20140707173944+05'30')
/CreationDate
(sigdrg)
/Author
-mark-