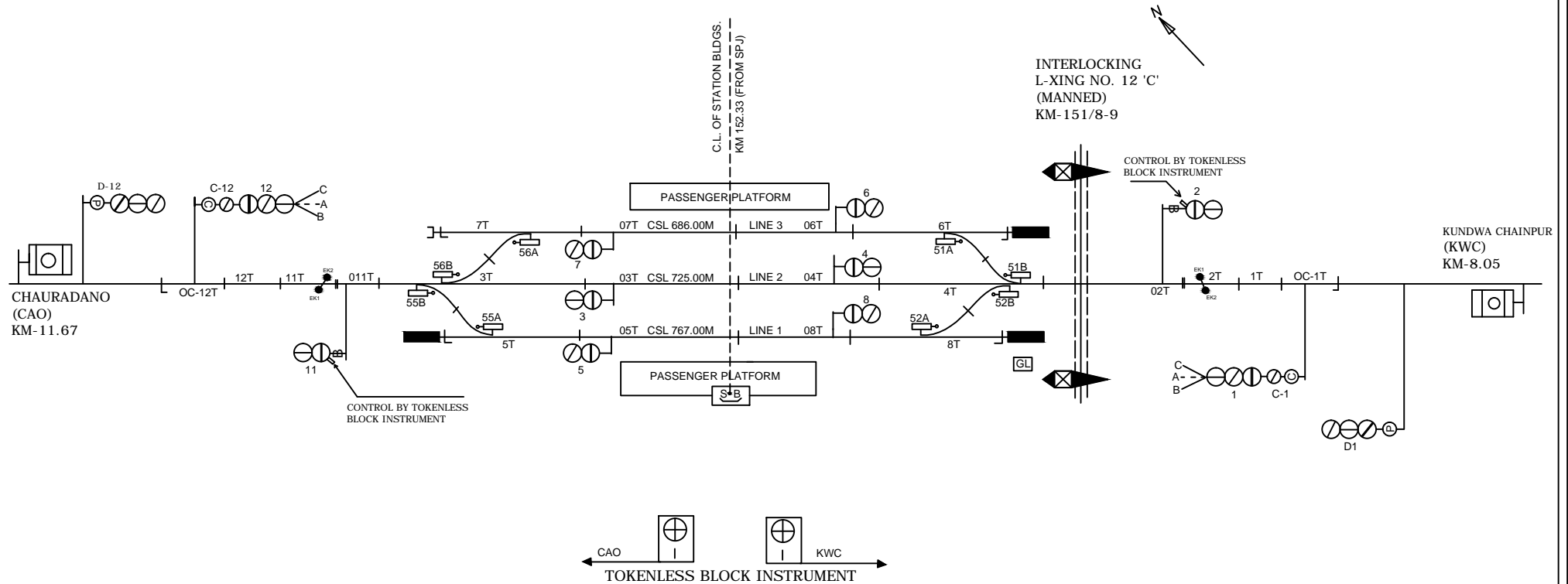


GHORASAHAN STATION

?kksM+klgu LVs'kUk



CLASS OF STATION : B
 STD OF SIG & INTERLOCKING: STD-II ®

EAST CENTRAL RAILWAY SAMASTIPUR DIVISION				STATION WORKING RULE DIAGRAM MACL, STD-II ® CLASS 'B'	GHORASAHAN	SWRD NO.- DY.CSTE/C-I/SPJ 2011/RD/08
	Sr.DSTE/SPJ	DSTE/W/SPJ	SSE/SIG/SPJ	TO SUTT SIP NO. ECR/SIP/SPJ/559/2011		