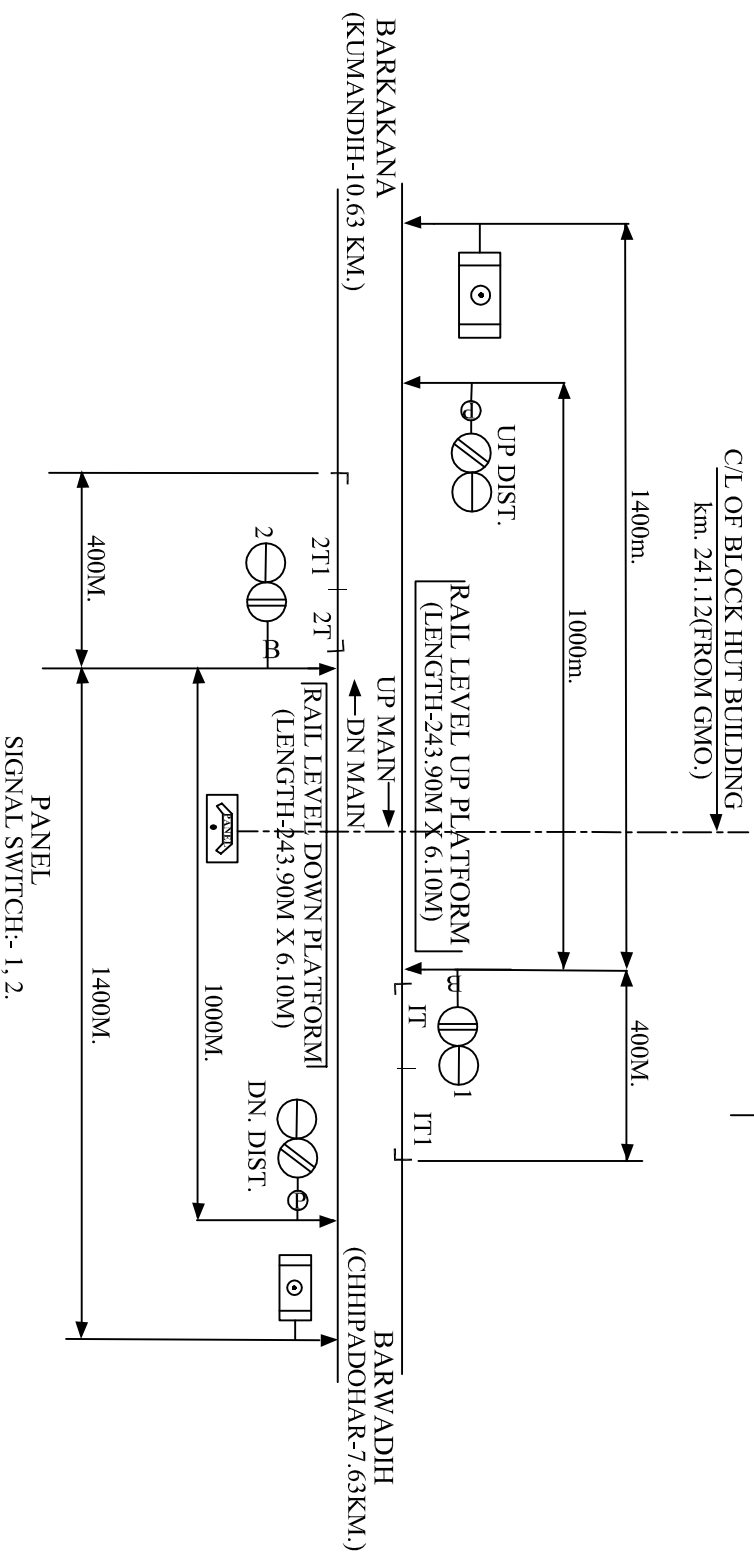


# HEHEGARA B.H. (HHG) PANEL MACIS, 'C' CLASS STD-III

Date of commissioning:- 29.03.2008

1000  
500



### ASPECT CONTROL CHART

DOWN →	← UP
DN. DIST.      SIG.NO.2	SIG.NO.1      UP. DIST.
G-----G	G-----G
Y-----R	R-----Y

**NOTE :-**

1. ABSOLUTE BLOCK SYSTEM OF WORKING WITH CHHIPADOHAR & KUMANDIH.
2. DOUBLE LINE BLOCK INSTRUMENT MSW/ HWH TYPE ARE IN USE AND LOCATED AT PANEL ROOM.
3. CONTROL TELEPHONE PROVIDED WITH PANEL / ASM.

