

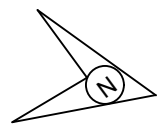
BAPUDHAM MOTIHARI STATION

PHASE-III (EI)

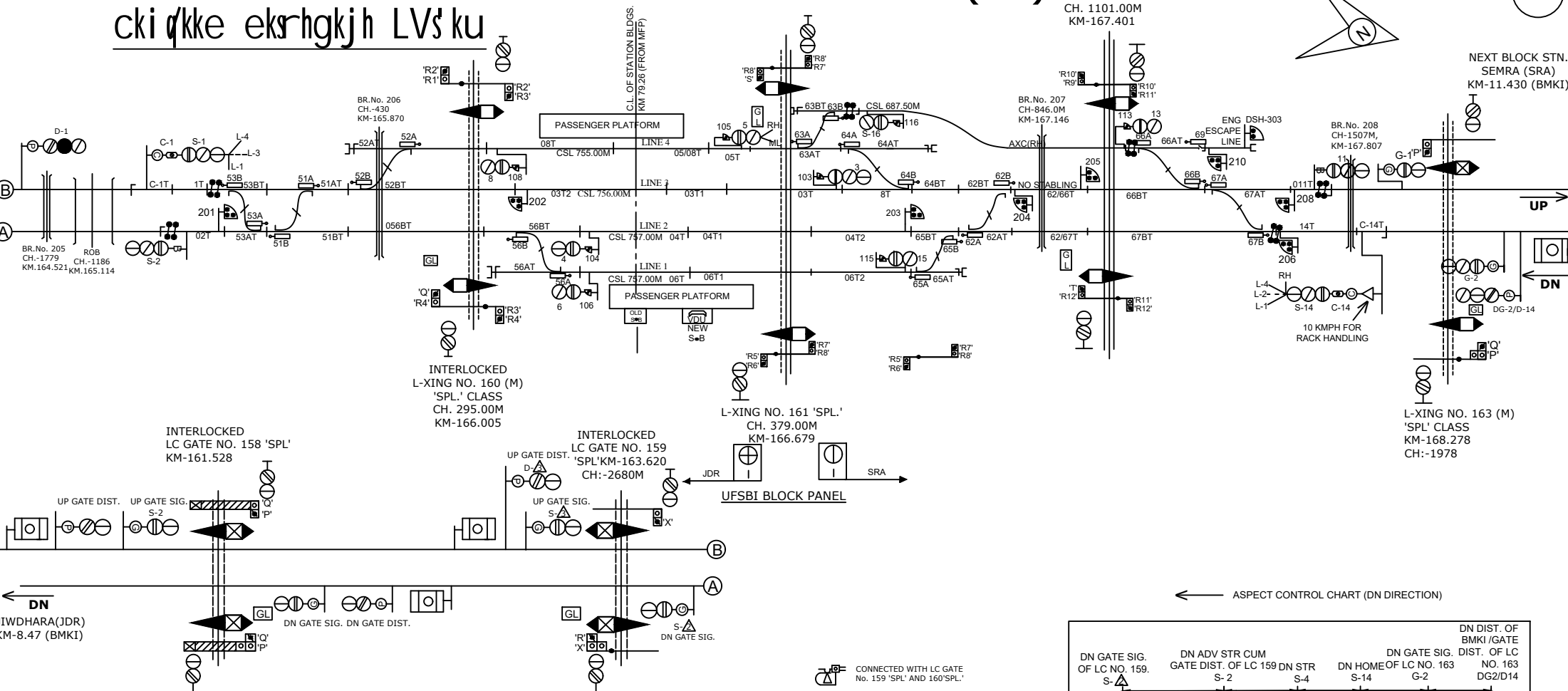
12A

ckl qkke ek rhgkj h LVs ku

INTERLOCKED
L-XING NO. 162 'C'
CH. 1101.00M
KM-167.401



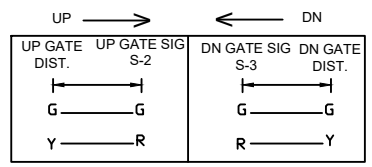
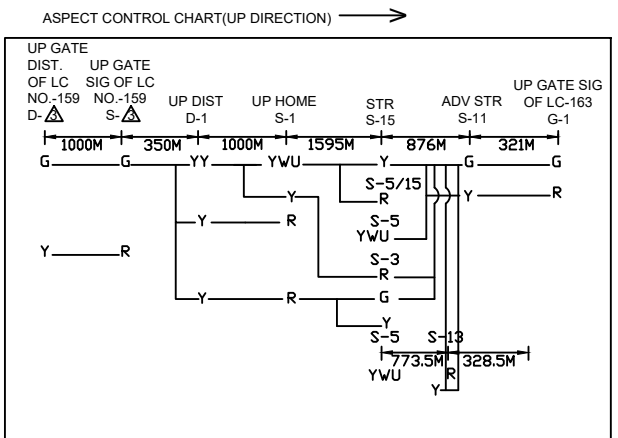
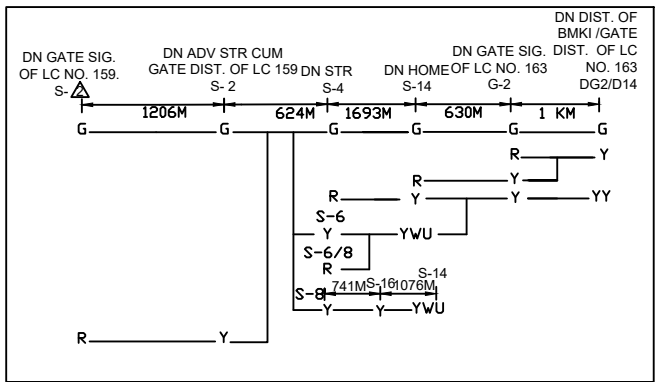
NEXT BLOCK STN.
SEMRA (SRA)
KM-11.430 (BMKI)



JIWDHARA (JDR)
KM-8.47 (BMKI)

- CONNECTED WITH LC GATE NO. 159 'SPL' AND 160 'SPL'.
- CONNECTED WITH LC GATE NO. 161 'SPL', 162 'SPL' AND 163 'SPL'.
- MEGNETO PHONE AT LC GATE NO. 164 'C'.

← ASPECT CONTROL CHART (DN DIRECTION)



CLASS OF STATION : B
STD OF SIG & INTERLOCKING: STD-II

EAST CENTRAL RAILWAY SAMASTIPUR DIVISION	SR.DSTE/SPJ	DSTE/SPJ	JE/DRG	ELECTRIC INTERLOCKING (E.I) STATION WORKING RULE DIAGRAM MACL, STD-II, CLASS 'B'	BAPUDHAM MOTIHARI	SWRD NO.- ECR/SWRD/SPJ- BMKI/335/2023