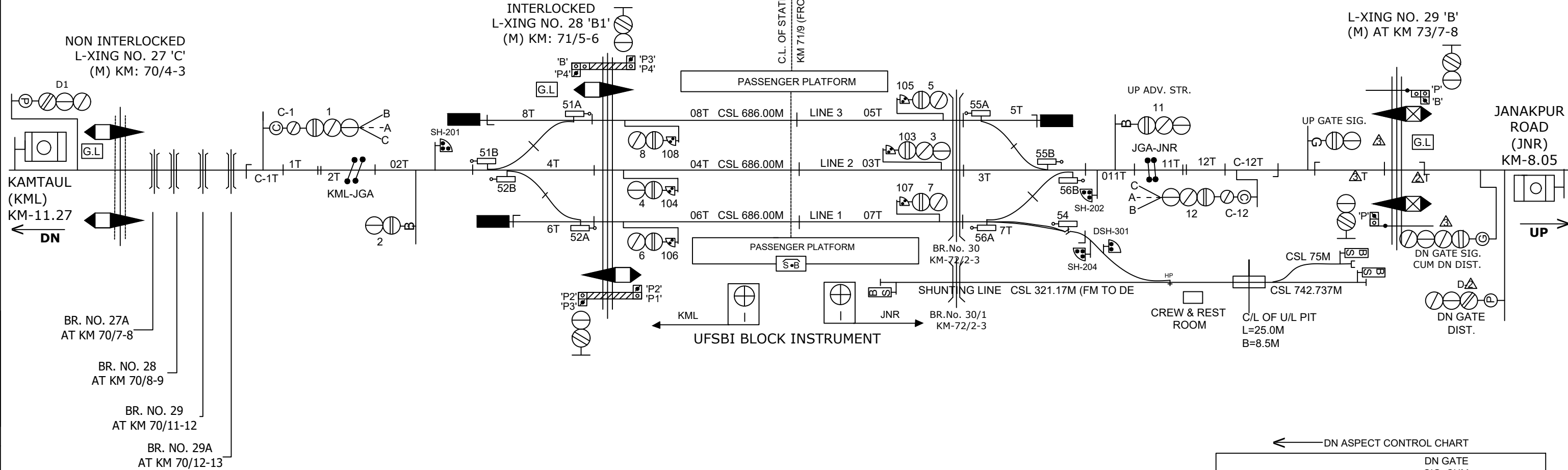
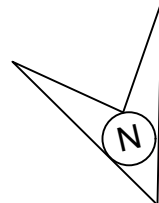


JOGIYARA STATION

tkfx; kjk LVs ku



NON INTERLOCKED
L-XING NO. 27 'C'
(M) KM: 70/4-3

INTERLOCKED
L-XING NO. 28 'B1'
(M) KM: 71/5-6

L-XING NO. 29 'B'
(M) AT KM 73/7-8

KAMTAUL
(KML)
KM-11.27
DN

JANAKPUR
ROAD
(JNR)
KM-8.05
UP

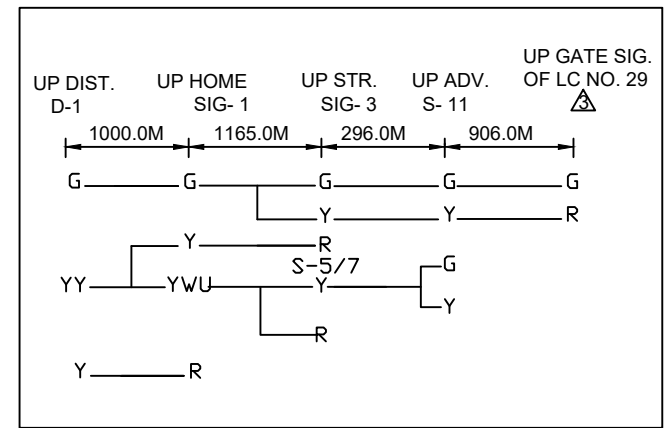
BR. NO. 27A
AT KM 70/7-8

BR. NO. 28
AT KM 70/8-9

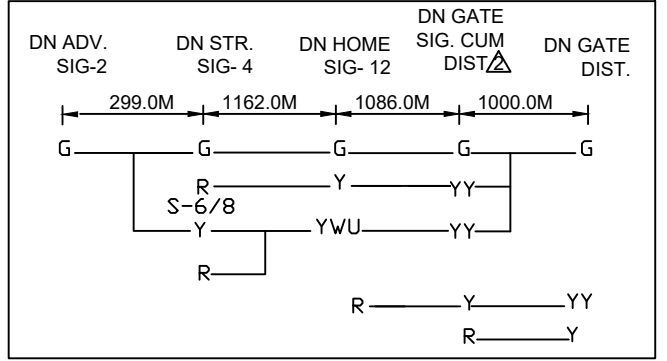
BR. NO. 29
AT KM 70/11-12

BR. NO. 29A
AT KM 70/12-13

UP ASPECT CONTROL CHART



DN ASPECT CONTROL CHART



NOTE:-
MAGNETO TELEPHONE PROVIDED BETWEEN PANEL ROOM & GATE NO.
25,26,27,28,29,30.

CLASS OF STATION : B
STD OF SIG & INTERLOCKING: STD-II

EAST CENTRAL RAILWAY
SAMASTIPUR DIVISION

STATION WORKING RULE DIAGRAM
MACL, STD-II, CLASS 'B'

JOGIYARA

SWRD NO.-
Sr.DSTE/SPJ
2020/RD/06

SR.DSTE/SPJ DSTE/SPJ JE/DRG TO SUIT SIP NO. ECR/SIP/SPJ-JGA/368/2022,ALT-II