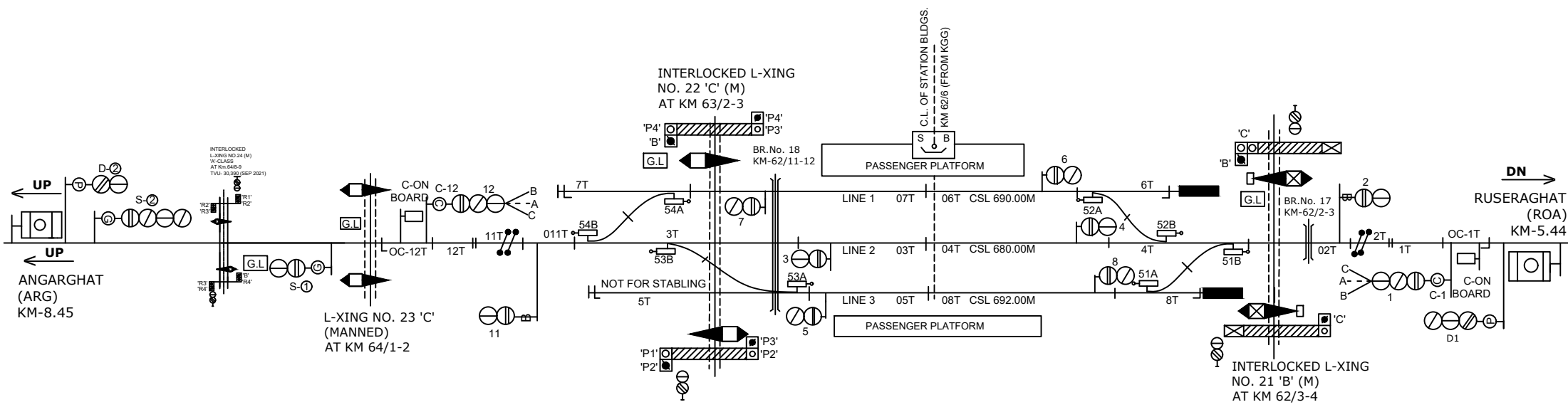
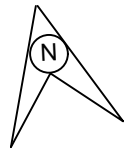
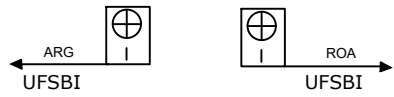
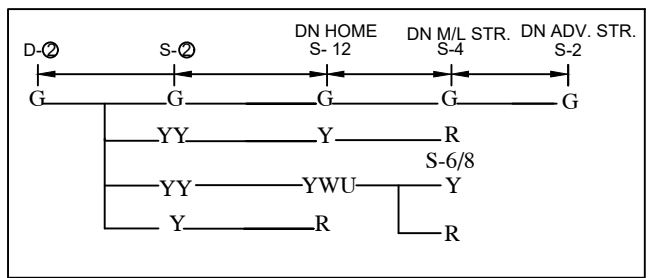


SINGHIYAGHAT STATION

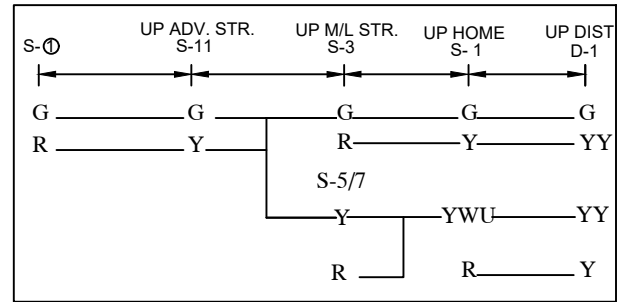
सिंधियाघाट स्टेशन



DN ASPECT CONTROL CHART →



← UP ASPECT CONTROL CHART



NOTE:
MAGNETO TELEPHONE PROVIDED BETWEEN SM'S OFFICE AND GATE NO.: -20'C, 21'B, 22'C, 23'C, 24'C, 25'C & 26'C.

CLASS OF STATION : B
STD OF SIG & INTERLOCKING: STD-II

EAST CENTRAL RAILWAY SAMASTIPUR DIVISION	SR.DSTE/SPJ	DSTE/SPJ	JE/DRG	STATION WORKING RULE DIAGRAM MACL, STD-II, CLASS 'B'	SINGHIYAGHAT	SWRD NO.-
						SR.DSTE/SPJ 2018/RD/10

TO SUIT SIP NO. ECR/SIP/SPJ/394/2006 ALT-XII