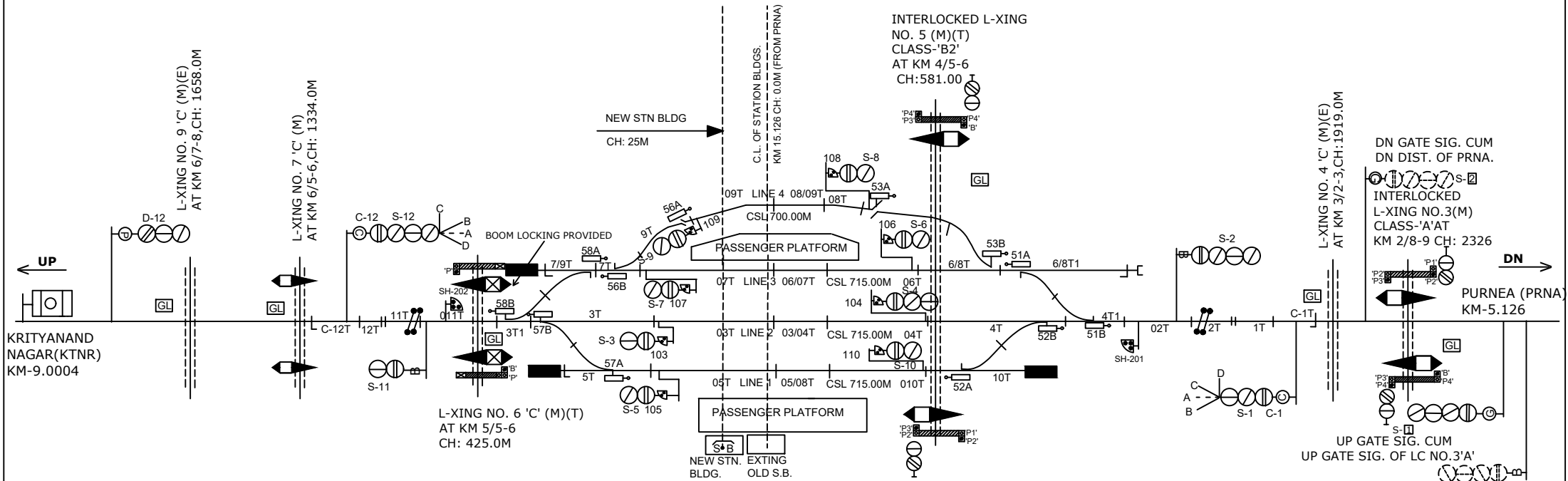
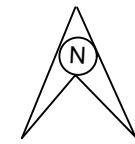


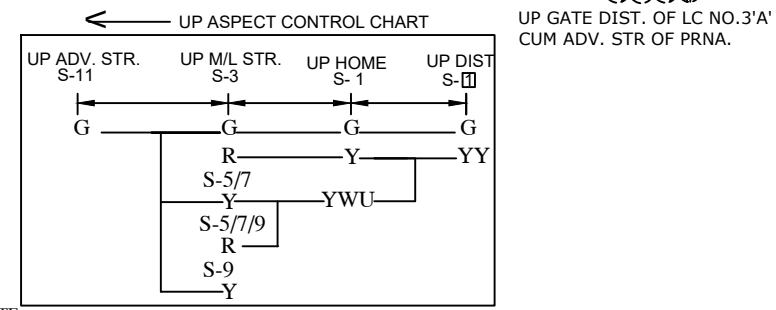
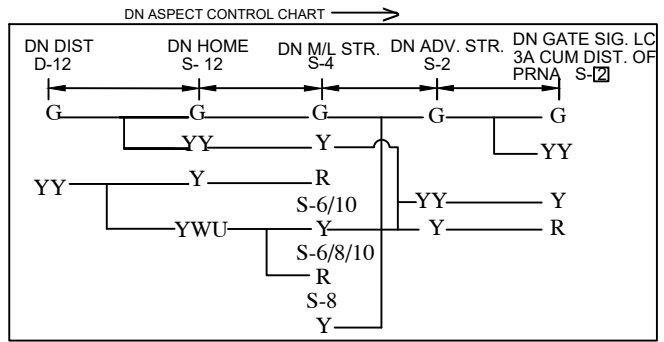
PURNEA COURT STATION

i f. k z k dks/VZ LVs' ku



UP
KRITYANAND NAGAR(KTNR) KM-9.0004

DN
PURNEA (PRNA) KM-5.126



NOTE:-
MAGNETO TELEPHONE PROVIDED BETWEEN PANEL ROOM L.C. GATE NO. 2'C,3'A,4'C,5'B2', BETWEEN PRNC-PRNA AND 6'C,7'C,9'C,12'C & 13'C BETWEEN PRNC-KTNR.

CLASS OF STATION : B
STD OF SIG & INTERLOCKING: STD-II ®

EAST CENTRAL RAILWAY
SAMASTIPUR DIVISION

STATION WORKING RULE DIAGRAM
MACL, STD-II ® CLASS 'B'

PURNEA COURT
i f. k z k dks/VZ

SWRD NO.-
DY.CSTE/CON/SPJ
2015/(R.D)/06

SR.DSTE/SPJ DSTE/SPJ JE/DRG TO SUIT SIP NO. ECR/SIP/SPJ/416/2015 ALT-VIII