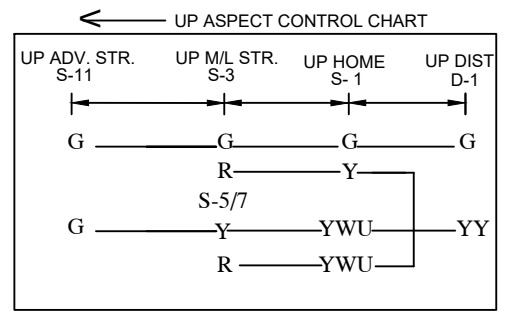
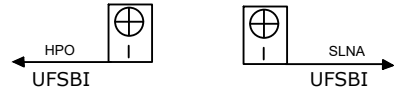
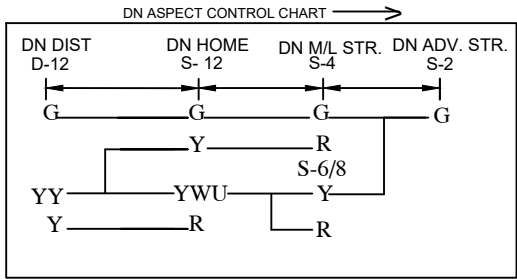
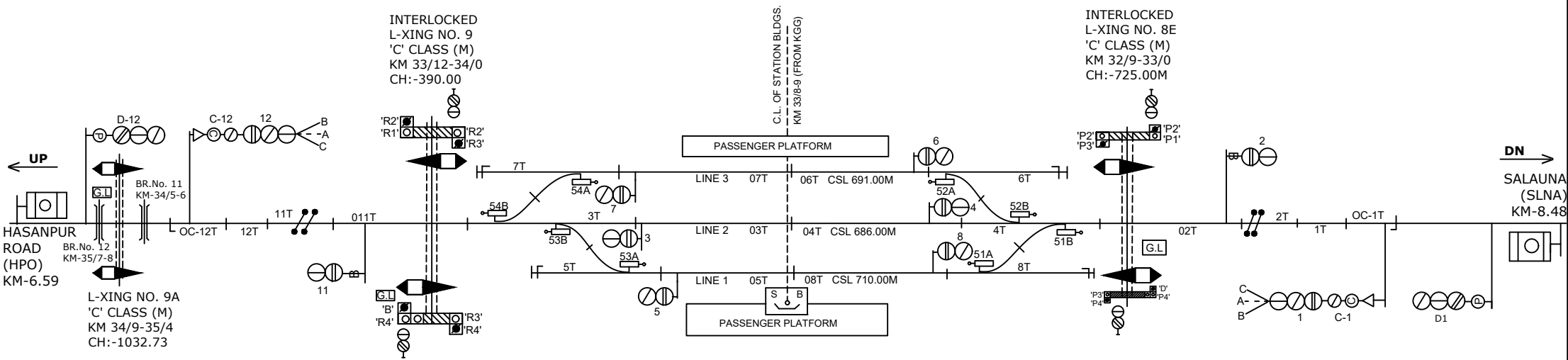
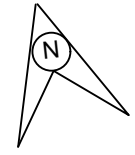


DR. SHRI KRISHNA SINGH NAGAR GARHPURA STATION

डा. श्री कृष्णा सिंह नगर गढ.पुरा स्टेशन



NOTE:
 MAGNETO TELEPHONE PROVIDED BETWEEN SM'S OFFICE AND GATE NO.: -8'C', 8D, 8D'C' 8E 'C' BETWEEN GRPA-SLNA AND 9'C' & 9A'C' BETWEEN HPO-GRPA.

CLASS OF STATION : B
 STD OF SIG & INTERLOCKING: STD-II ®

EAST CENTRAL RAILWAY SAMASTIPUR DIVISION	SR.DSTE/SPJ	DSTE/SPJ	JE/DRG	STATION WORKING RULE DIAGRAM MACL, STD-II ® , CLASS 'B'	DR. SHRI KRISHNA SINGH NAGAR GARHPURA	SWRD NO.-
				TO SUIT SIP NO. ECR/SIP/SPJ/398/2006 ALT-XI		SR.DSTE/SPJ 2018/RD/19