

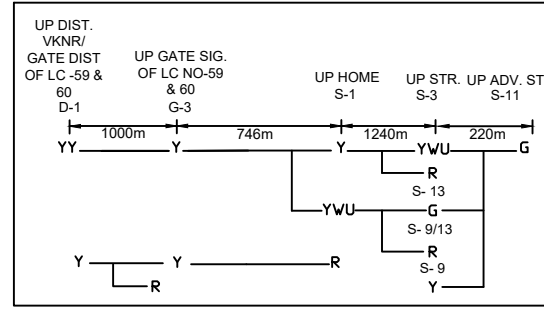
# VALMIKINAGAR ROAD STATION

## वाल्मीकिनगर रोड स्टेशन

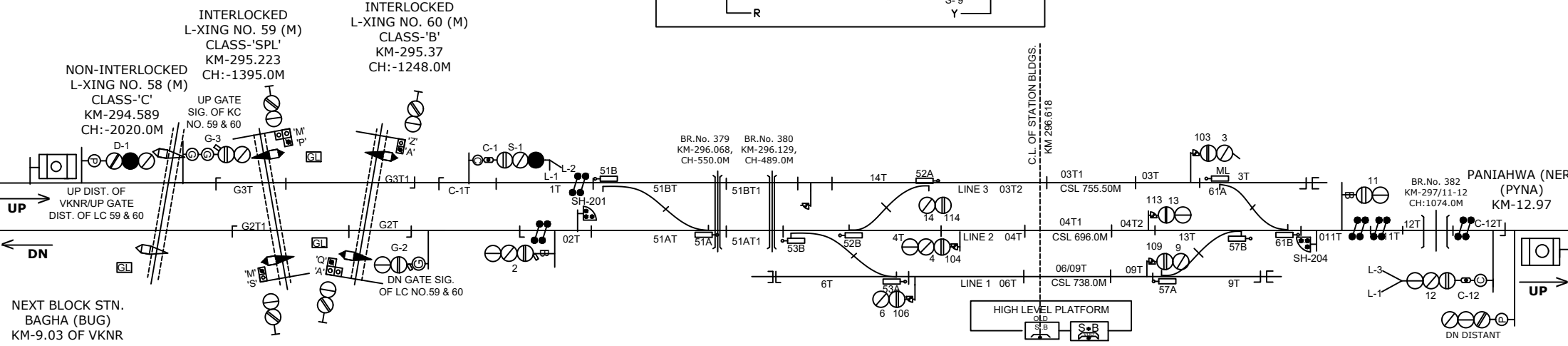
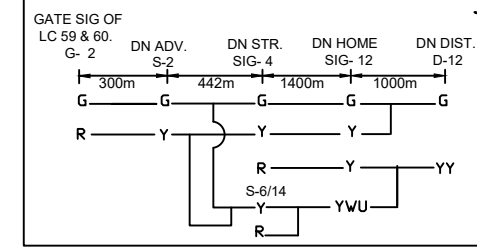
# VKNR PH-I

31A

UP ASPECT CONTROL CHART



DN ASPECT CONTROL CHART



CLASS OF STATION : B  
STD OF SIG & INTERLOCKING: STD-II

EAST CENTRAL RAILWAY SAMASTIPUR DIVISION	SR.DSTE/SPJ	DSTE/SPJ	SSE/SIG	ELECTRONIC INTERLOCKING (E.I) STATION WORKING RULE DIAGRAM MACL, STD-II R, CLASS 'B' PHAGE-1	VALMIKINAGAR ROAD	SWRD NO.-
						Sr.DSTE/SPJ/ 2011 (RD) / 02

TO SUIT SIP NO. ECR/SIP/SPJ-VKNR/349/2022. A