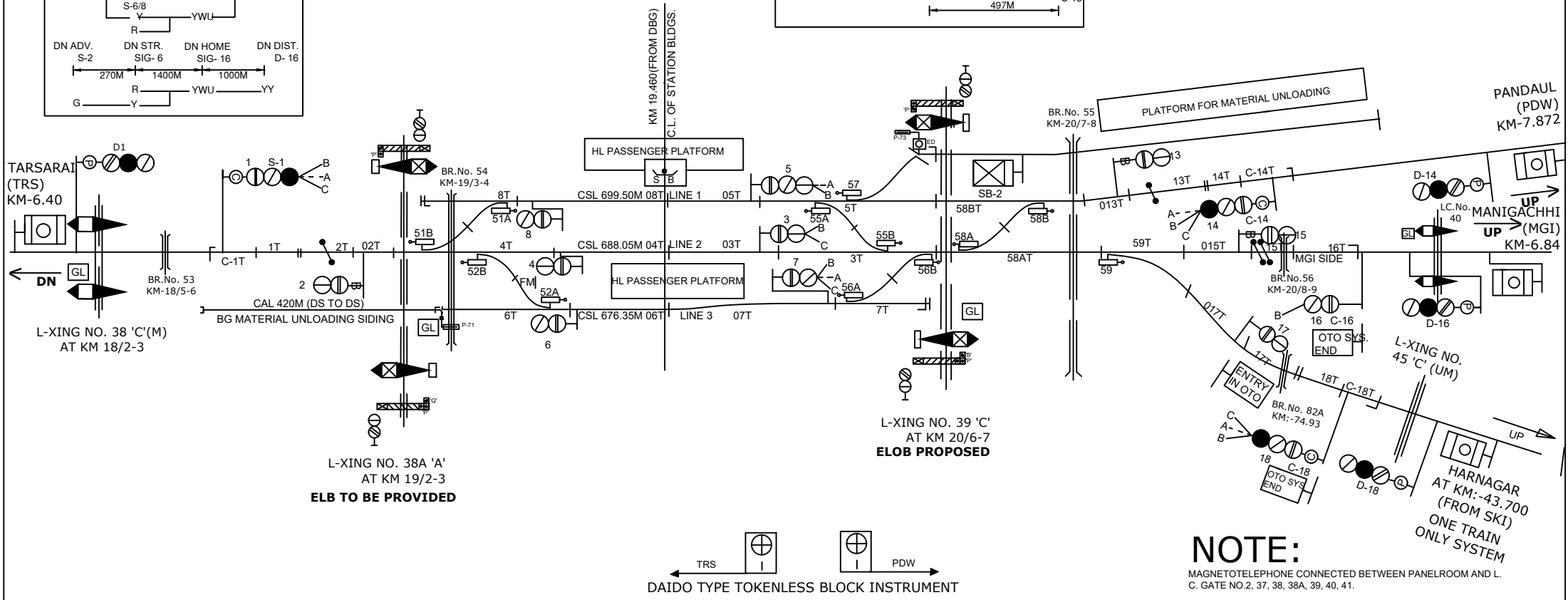
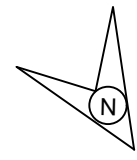
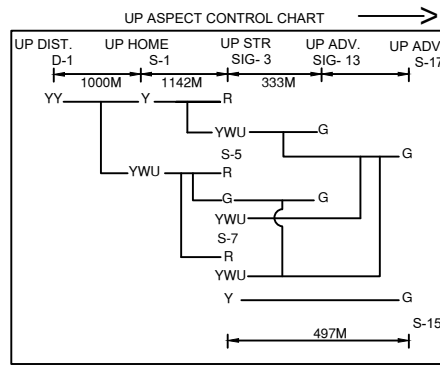
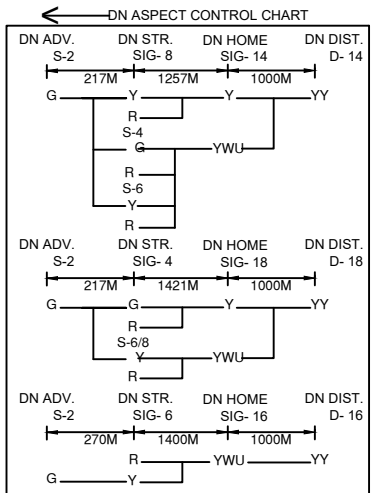


SAKRI STATION

सकरी स्टेशन



NOTE:
MAGNETOTELEPHONE CONNECTED BETWEEN PANELROOM AND L. C. GATE NO.2, 37, 38, 38A, 39, 40, 41.

EXISTING

CLASS OF STATION : B
STD OF SIG & INTERLOCKING: STD-II (R)

EAST CENTRAL RAILWAY SAMASTIPUR DIVISION	SR.DSTE/SPJ	DSTE/SPJ	JE/DRG	STATION WORKING RULE DIAGRAM MACL, STD-II (R), CLASS 'B'	SAKARI	SWRD NO.-
				TO SUIT SIP NO. ECR/SIP/SPJ/373/2018 ALT- VI		DY.CSTE/CON/ SPJ/2018/R.D./04