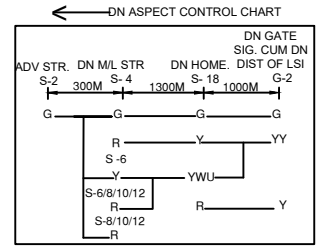
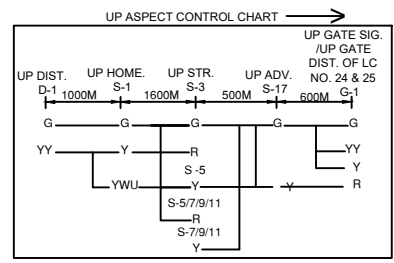
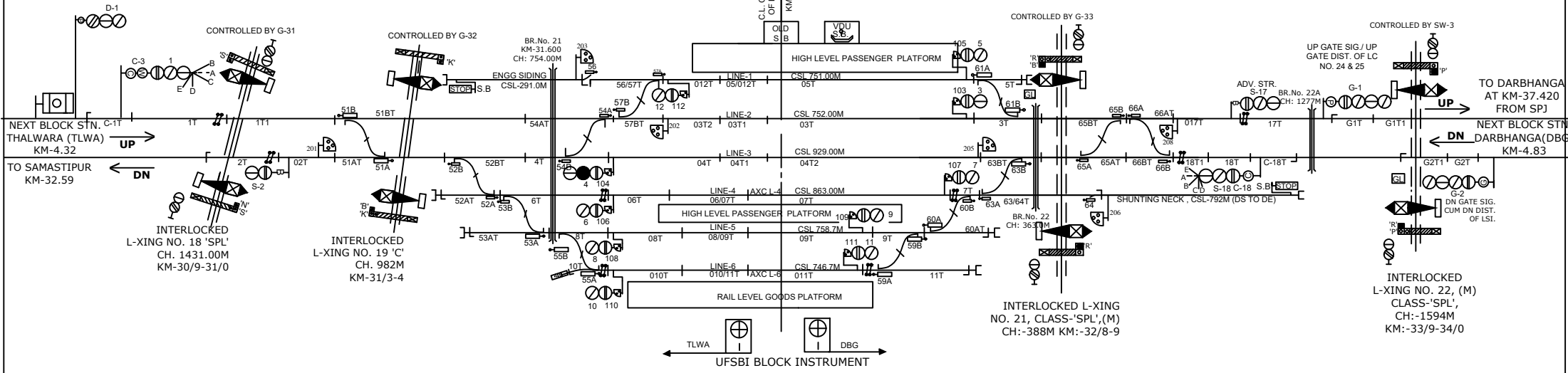
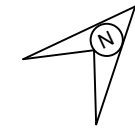


LAHERIASARAI STATION

ygfj ; kl jk; LV's ku



NOTE:-

- MAGNETO TELEPHONE CONNECTED BETWEEN SM ROOM AND GATE NO.18,19,21,22 & 23.
- THE SIGNALLING INSTALLATION IS SUITABLE FOR 25 KV AC TRACTION.

CLASS OF STATION : B
STD OF SIG & INTERLOCKING: STD-II Ⓜ

EAST CENTRAL RAILWAY SAMASTIPUR DIVISION	CONTROL PANEL (E.I) STATION WORKING RULE DIAGRAM MACL, STD-II Ⓜ CLASS 'B'	LAHERIASARAI	SWRD NO.-
			Dy.CSTE/C/1/SPJ 2019/RD/10
Sr.DSTE/SPJ	DSTE/SPJ	JE/DRG/SPJ	TO SUIT SIP NO. ECR/SIP/SPJ/325/2019 ALT-II