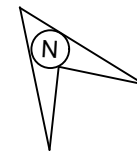
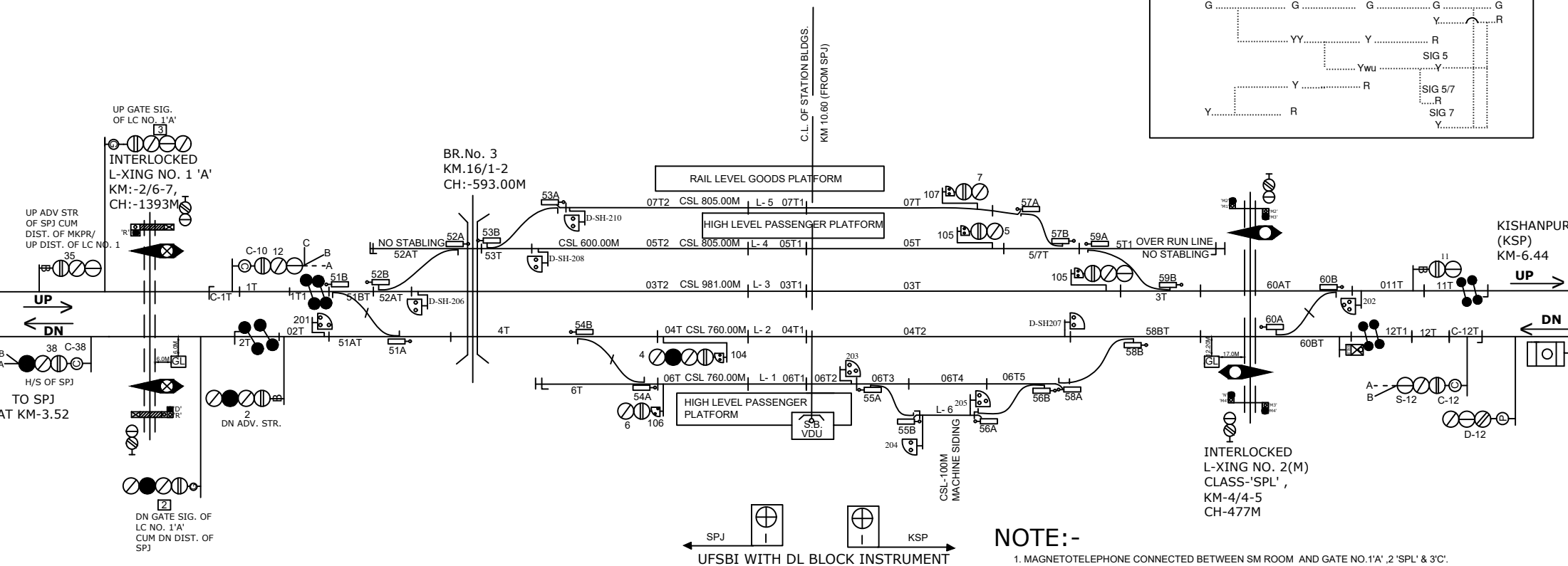
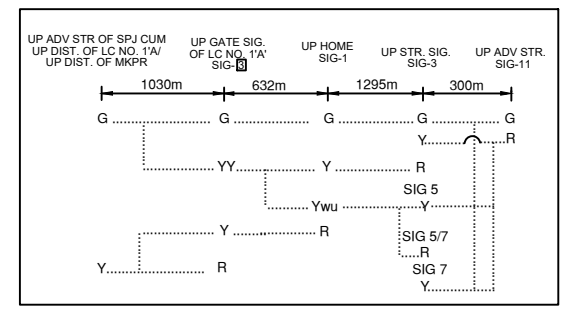


MUKTAPUR STATION

मुक्तापुर स्टेशन



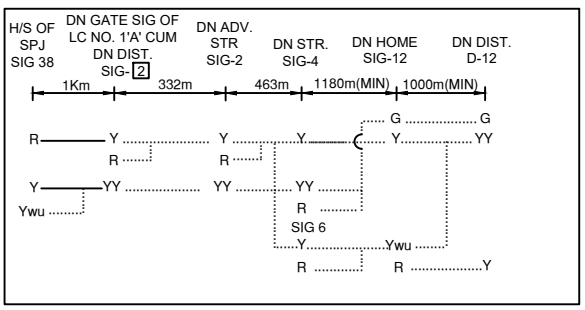
UP ASPECT CONTROL CHART →



NOTE:-

1. MAGNETOTELEPHONE CONNECTED BETWEEN SM ROOM AND GATE NO.1'A', 2 'SPL' & 3'C'.
2. THE SIGNALLING INSTALLATION IS SUITABLE FOR 25 KV AC TRACTION.

← DN ASPECT CONTROL CHART



CLASS OF STATION : B
STD OF SIG & INTERLOCKING: STD-II (R)

EAST CENTRAL RAILWAY SAMASTIPUR DIVISION	(E.I) STATION WORKING RULE DIAGRAM MACL, STD-II (R), CLASS 'B'	MUKTAPUR	SWRD NO.-
			Dy.CSTE/C/1/SPJ 2018/RD/07
Sr.DSTE/SPJ	DSTE/W/SPJ	JE/DRG/SPJ	TO SUIT SIP NO. ECR/SIP/SPJ/320/2018 ALT-V