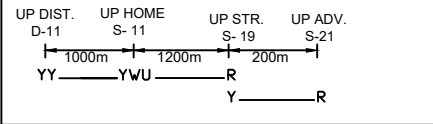


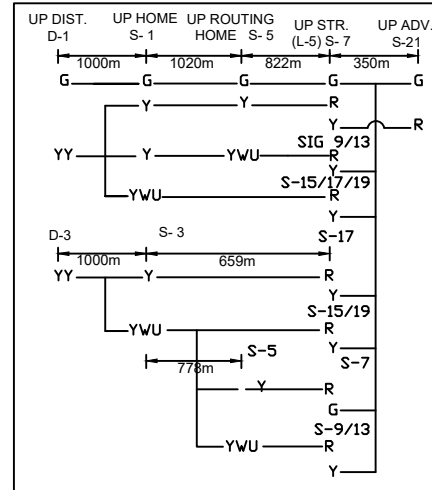
NARKATIAGANJ STATION

नरकटियागंज स्टेशन

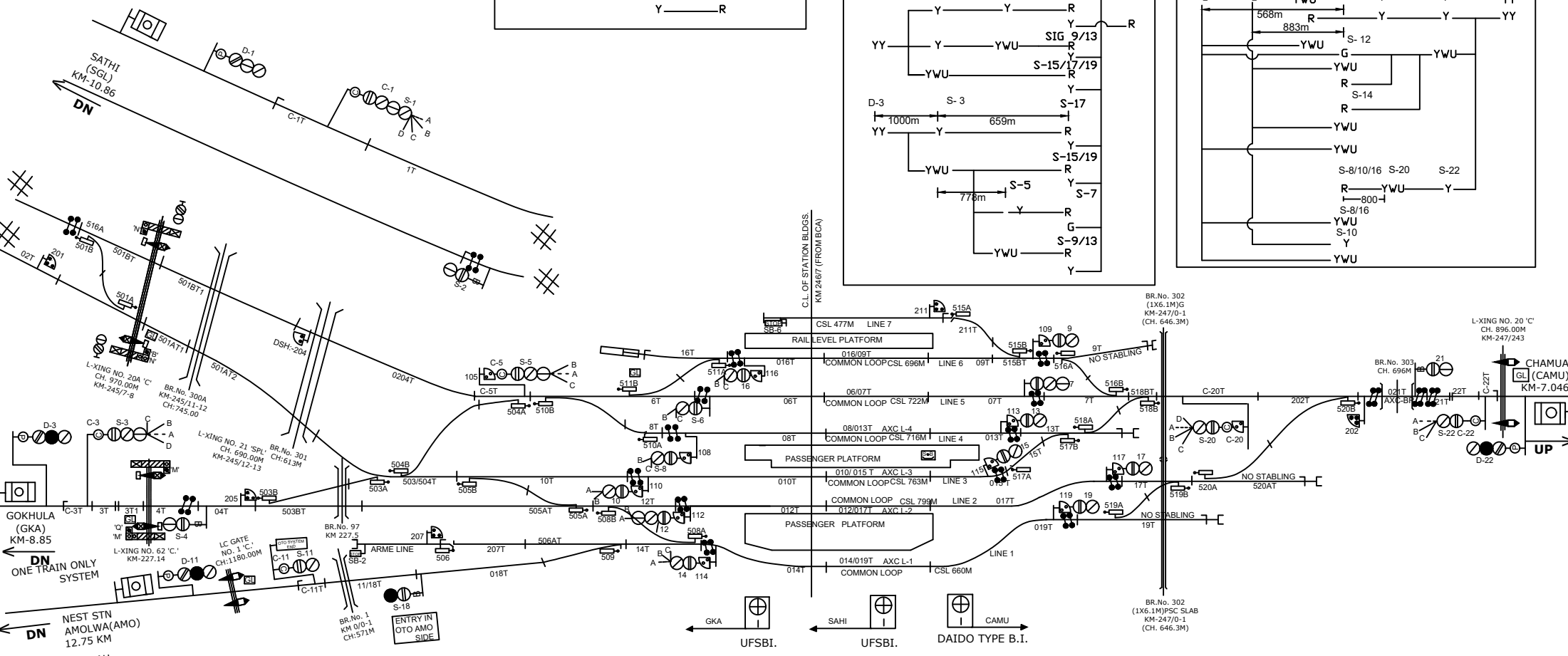
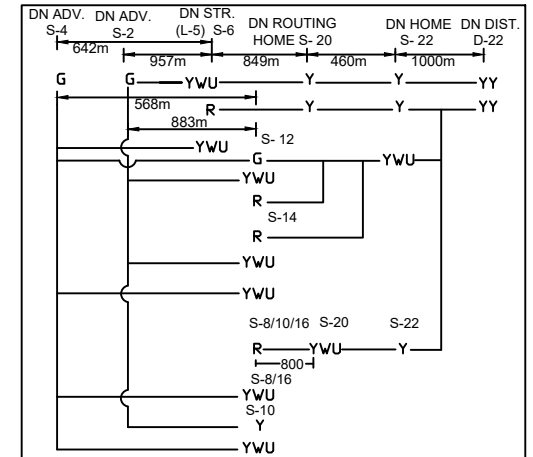
UP ASPECT CONTROL CHART (FROM AMO SIDE) →



UP ASPECT CONTROL CHART →



← DN ASPECT CONTROL CHART



NOTE:-

MAGNETO TELEPHONE PROVIDED AT PANEL CABIN GATE NO.20 & 21 (AT CAMU SIDE), LC NO.19,20,20A (AT SAHI SIDE) & LC NO. 61, 62 (AT GKA SIDE)

EAST CENTRAL RAILWAY SAMASTIPUR DIVISION	STATION WORKING RULE DIAGRAM MACL, STD-II®, CLASS 'B'			NARKATIAGANJ	SWRD NO. - DY CSTE/C/SPJ/2017(RD)/02
	Sr.DSTE/SPJ	DSTE/SPJ	JE/DRG	TO SUIT SIP NO. ECR/SIP/SPJ/343/2016 ALT-XIII	

CLASS OF STATION : B
 STD OF SIG & INTERLOCKING: STD-II®