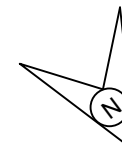


SUGAULI STATION

I xksyh LV's ku

SUGAULI DOUBLING PH-I



L-XING NO. 175
CLASS-'SPL'
CH-695.650
KM-186/2-3

NEXT BLOCK STN.
SEMRA(SRA)
9.23 KM FROM SGL

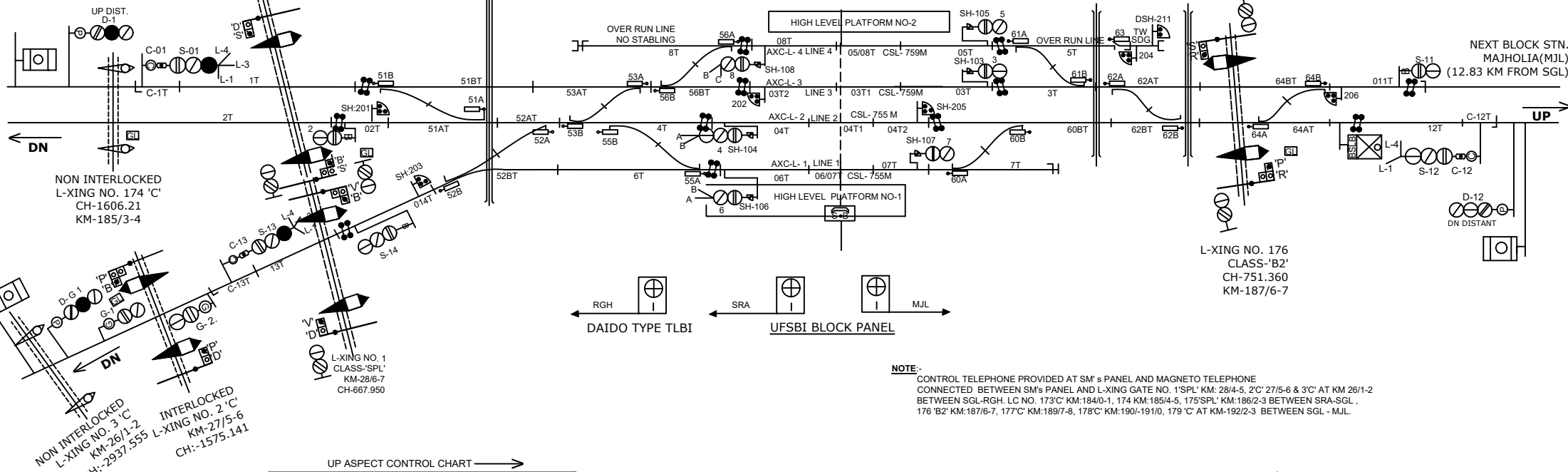
BR.No. 232
CH-526
KM-186/5-6

KM 186.960 (FROM BCA)
C.L. OF STATION BLDGS.

BR.No. 233
CH.-620.68
KM-187/5-6

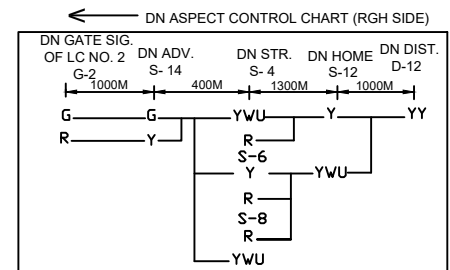
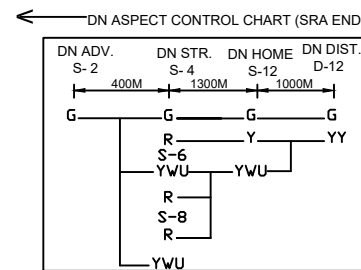
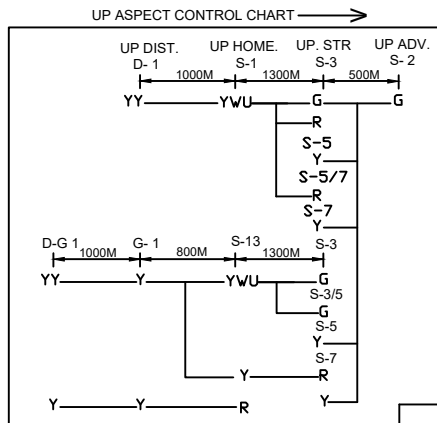
BR.No. 234
CH.-723.668
KM-187/6-7

NEXT BLOCK STN.
MAJHOLIA(MJL)
(12.83 KM FROM SGL)



NOTE:-
CONTROL TELEPHONE PROVIDED AT SM's PANEL AND MAGNETO TELEPHONE
CONNECTED BETWEEN SM'S PANEL AND L-XING GATE NO. 1'SPL' KM: 28/4-5, 2'C' 27/5-6 & 3'C' AT KM 26/1-2
BETWEEN SGL-RGH. LC NO. 173'C' KM:184/0-1, 174 KM:185/4-5, 175'SPL' KM:186/2-3 BETWEEN SRA-SGL,
176'B2' KM:187/6-7, 177'C' KM:189/7-8, 178'C' KM:190/191/0, 179'C' AT KM:192/2-3 BETWEEN SGL - MJL.

NEXT BLOCK STN.
RAMGARHWA (RGH)
14.134 KM FROM SGL



CLASS OF STATION : B
STD OF SIG & INTERLOCKING: STD-II R

EAST CENTRAL RAILWAY
SAMASTIPUR DIVISION

(E.I)
STATION WORKING RULE DIAGRAM
MACL, STD-II®. CLASS 'B'

SUGAULI
SWRD NO.-
DY.CSTE/CON-I/SPJ
2021(RD)/15