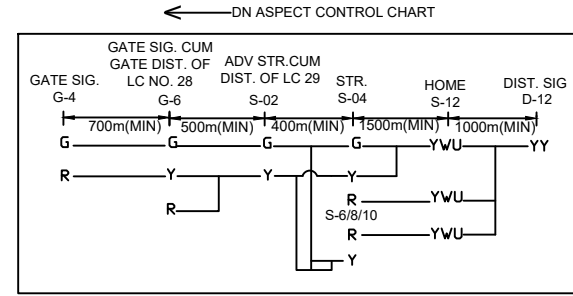
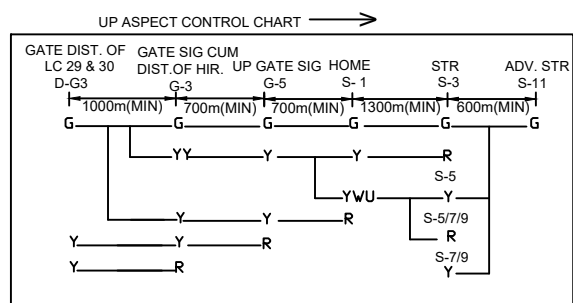
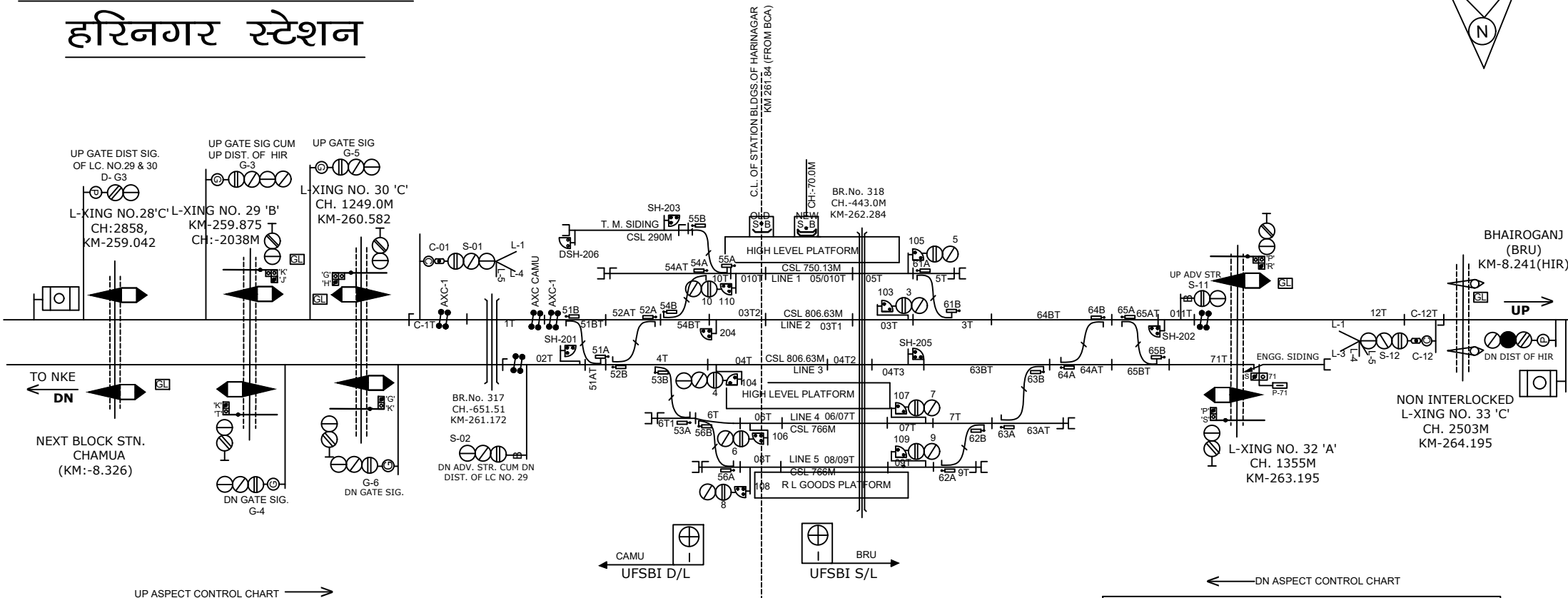
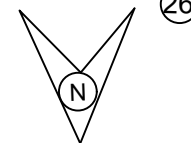


HARINAGAR STATION

हरिनगर स्टेशन

HARINAGAR DOUBLING PH-1



- CONNECTED WITH SM AT L-XING No. 26 'SPL' AT KM. 256.7 BETWEEN CAMU-HIR
- CONNECTED WITH SM AT L-XING No. 28 'C' AT KM. 259.042 & 29 'SPL' AT KM. 259.875 BETWEEN CAMU-HIR
- CONNECTED WITH SM AT L-XING No. 30 'C' AT KM. 260.582 BETWEEN HIR-CAMU
- CONNECTED WITH SM AT L-XING No. 32 'C' AT KM. 263.195 BETWEEN BRU-HIR
- CONNECTED WITH SM AT L-XING No. 33 'C' AT KM. 264.195 BETWEEN BRU-HIR

CLASS OF STATION : B
STD OF SIG & INTERLOCKING: STD-II

EAST CENTRAL RAILWAY SAMASTIPUR DIVISION				(E.I) STATION WORKING RULE DIAGRAM MACL, STD-II, CLASS 'B'	HARINAGAR	SWRD NO.- ECR/SWRD/ SPJ-HIR/345/2022
SR.DSTE/SPJ	DSTE/SPJ	JE/DRG	TO SUIT SIP NO. ECR/SIP/SPJ/345-HIR/2021 ALT-A1			