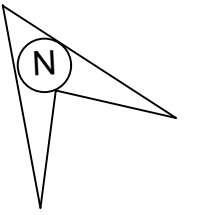


CHAKIA STATION

pdf; k LV's ku

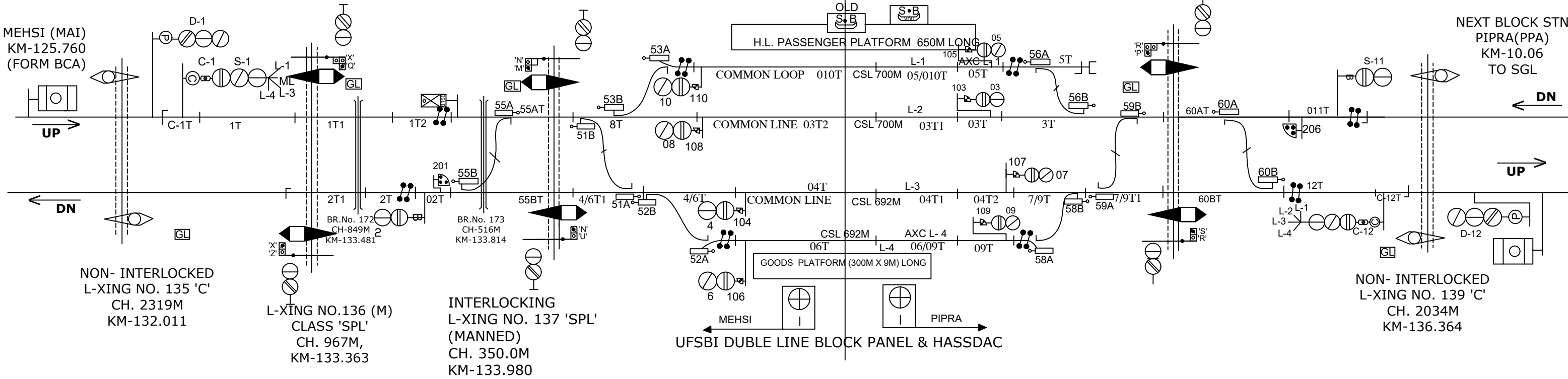


C.L. OF OLD STATION BLDGS. OF CAA
KM 134.330 (FROM BCA)
CH:-0.00M

INTERLOCKING
L-XING NO. 138 'A'
(MANNED)
CH. 720.0M
KM-135.050

NEXT BLOCK STN
PIPRA(PPA)
KM-10.06
TO SGL

MEHSI (MAI)
KM-125.760
(FORM BCA)

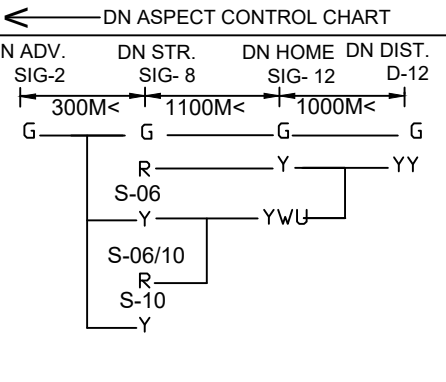


NON- INTERLOCKED
L-XING NO. 135 'C'
CH. 2319M
KM-132.011

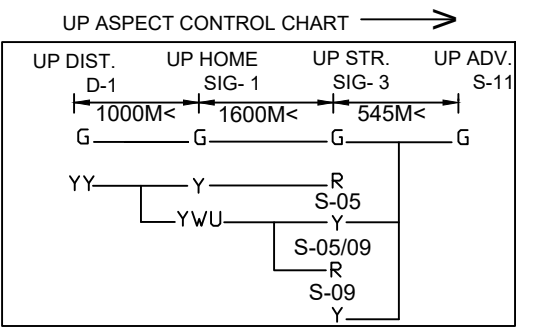
L-XING NO.136 (M)
CLASS 'SPL'
CH. 967M,
KM-133.363

INTERLOCKING
L-XING NO. 137 'SPL'
(MANNED)
CH. 350.0M
KM-133.980

NON- INTERLOCKED
L-XING NO. 139 'C'
CH. 2034M
KM-136.364



NOTE:-
MAGNETO TELEPHONE CONNECTION PROVIDED WITH L.C NO.134 'C', 135 'C', 136 'B2' & 137 'SPL'
BETWEEN CAA-MAI & LC NO.138 'B', 139 'C', 140 'C' & 141 'C' BETWEEN CAA - PPA.



CLASS OF STATION : B
STD OF SIG & INTERLOCKING: STD-II

EAST CENTRAL RAILWAY
SAMASTIPUR DIVISION

ELECTRIC INTERLOCKING (E.I)
STATION WORKING RULE DIAGRAM
MACL, STD-II , CLASS 'B'

CHAKIA
pdf; k

SWRD NO.-
ECR/SWRD/SPJ
MHL/332/2022

SR.DSTE/SPJ DSTE/SPJ JE/DRG TO SUIT SIP NO. ECR/SIP/SPJ-CAA/332/2021 ALT-A5