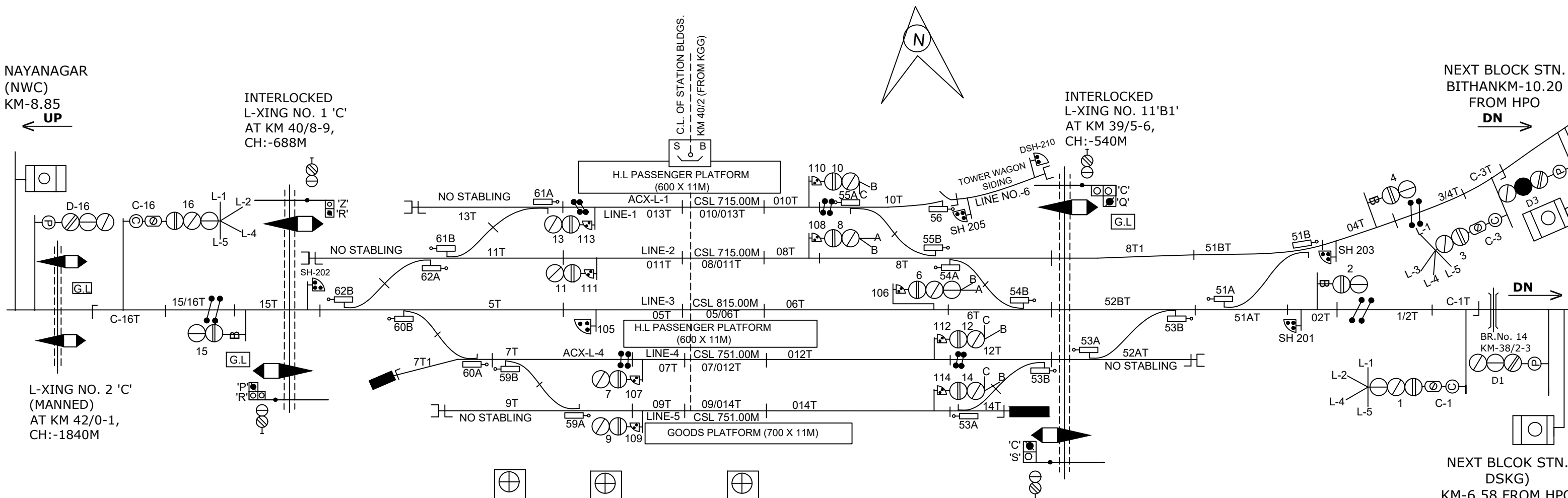


# HASANPUR ROAD STATION

## हसनपुर रोड स्टेशन



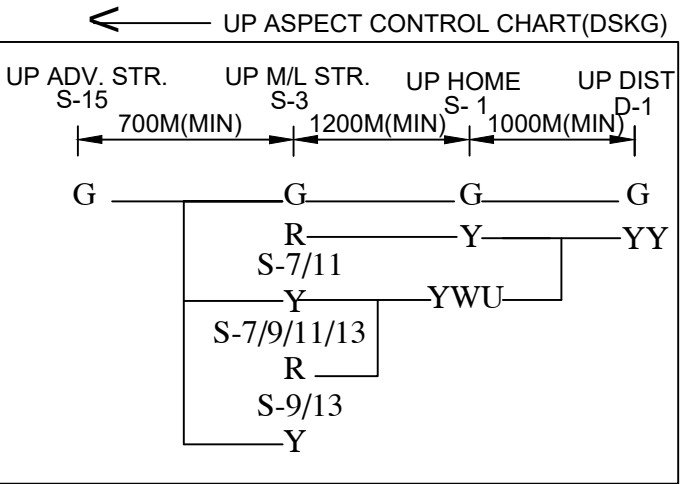
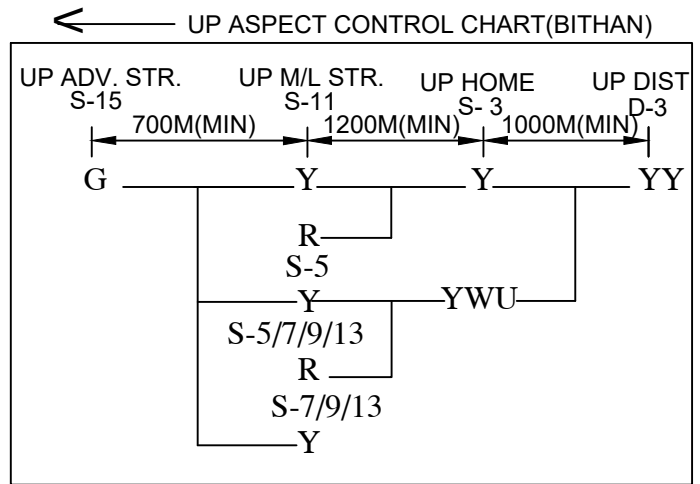
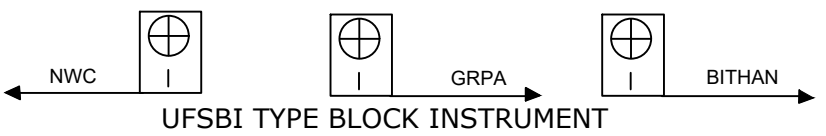
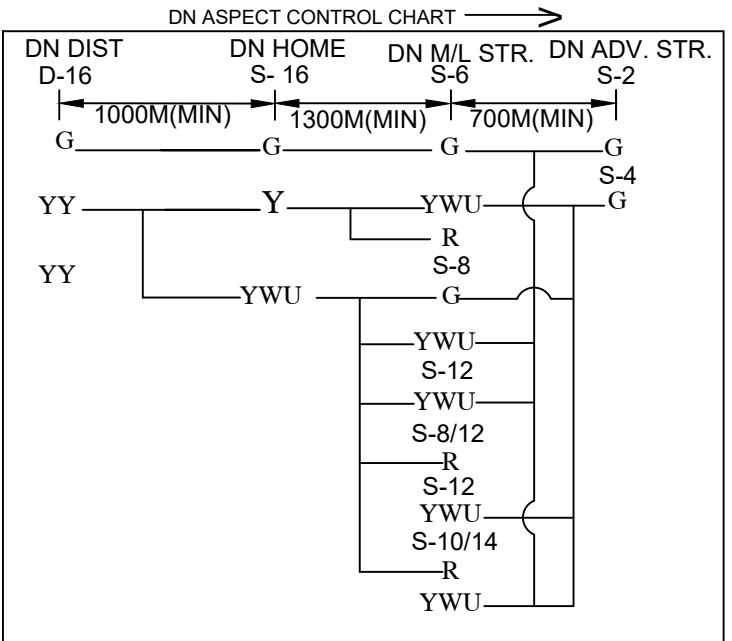
L-XING NO. 2 'C'  
(MANNED)  
AT KM 42/0-1,  
CH:-1840M

INTERLOCKED  
L-XING NO. 1 'C'  
AT KM 40/8-9,  
CH:-688M

INTERLOCKED  
L-XING NO. 11'B1'  
AT KM 39/5-6,  
CH:-540M

NEXT BLOCK STN.  
BITHANKM-10.20  
FROM HPO  
DN →

NEXT BLOCOK STN.  
DSKG)  
KM-6.58 FROM HPO



**NOTE:**  
MAGNETO TELEPHONE PROVIDED BETWEEN SM'S OFFICE AND GATE NO.: -1'C',  
2'C', 3'C', & 4'C' BETWEEN NWC-HPO AND 10'C' & 11'B1' HPO -DSKG.

CLASS OF STATION : B  
STD OF SIG & INTERLOCKING: STD-II

EAST CENTRAL RAILWAY  
SAMASTIPUR DIVISION

DISTRIBUTED  
ELECTRONIC INTERLOCKING (E.I)  
STATION WORKING RULE DIAGRAM  
MACL, STD-II, CLASS 'B'

HASANPUR ROAD

SWRD NO.-

SR.DSTE/SPJ  
2018/RD/18