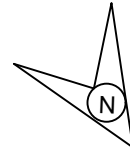
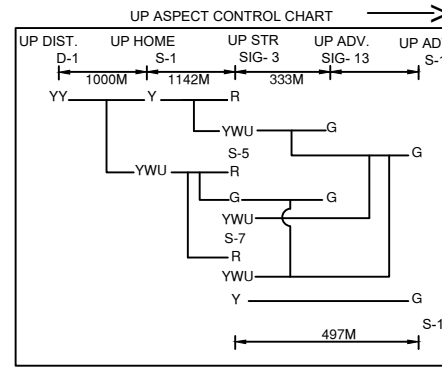
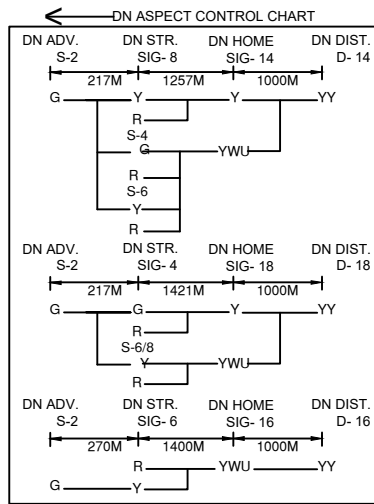


SAKRI STATION

सकरी स्टेशन



KM 19.460 (FROM DBG)
C.L. OF STATION BLDGS.

PASSENGER PLATFORM

CSL 699.50M 08T LINE 1 05T

PASSENGER PLATFORM

CSL 688.05M 04T LINE 2 03T

CSL 676.35M 06T LINE 3 07T

BR.No. 55
KM-20/7-8

PLATFORM FOR MATERIAL UNLOADING

PANDAUL (PDW)

BR.No. 1A
KM-1/9-2/BR.No. 2/BR.No. 6.4
KM-7.872

UP

MANIGACHHI (MGI)

UP

BR.No. 59
KM-6.84

LC.No. 40

BR.No. 1
KM-1/1-2

BR.No. 57
KM-21/2-3

BR.No. 56
KM-20/8-9

BR.No. 58
KM-21/6-7

BR.No. 82A
KM:-74.93

BR.No. 82 A
KM.74/520

BR.No. 59
KM-6.84

D-16

BR.No. 59
KM-6.84

HARNAGAR

AT KM:-43.700 (FROM SKI)

UP

TARSARAI (TRS)

KM-6.44

DN

L-XING NO. 38 'C'(M)
AT KM 18/2-3

BR.No. 53
KM-18/5-6

CAL 420M (DS TO DS)

BG MATERIAL UNLOADING SIDING

BR.No. 54
KM-19/3-4

L-XING NO. 38A 'A'

AT KM 19/2-3

ELB TO BE PROVIDED

BR.No. 54
KM-19/3-4

BR.No. 54
KM-19/3-4

BR.No. 54
KM-19/3-4

BR.No. 54
KM-19/3-4

BR.No. 54
KM-19/3-4

BR.No. 54
KM-19/3-4

BR.No. 54
KM-19/3-4

BR.No. 54
KM-19/3-4

BR.No. 54
KM-19/3-4

BR.No. 54
KM-19/3-4

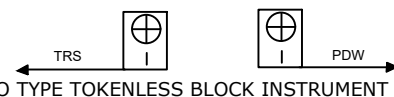
BR.No. 54
KM-19/3-4

BR.No. 54
KM-19/3-4

BR.No. 54
KM-19/3-4

BR.No. 54
KM-19/3-4

L-XING NO. 39 'C'
AT KM 20/6-7
ELOB PROPOSED



NOTE:

MAGNETOTELEPHONE CONNECTED BETWEEN PANELROOM AND L. C. GATE NO.2, 37, 38, 38A, 39, 40, 41.

EXISTING

CLASS OF STATION : B
STD OF SIG & INTERLOCKING: STD-II®

EAST CENTRAL RAILWAY
SAMASTIPUR DIVISION

STATION WORKING RULE DIAGRAM
MACL, STD-II®, CLASS 'B'

SAKARI

SWRD NO.-

DY.CSTE/CON/
SPJ/2018/R.D./04

SR.DSTE/SPJ DSTE/SPJ JE/DRG

TO SUIT SIP NO. ECR/SIP/SPJ/373/2018 ALT- VI