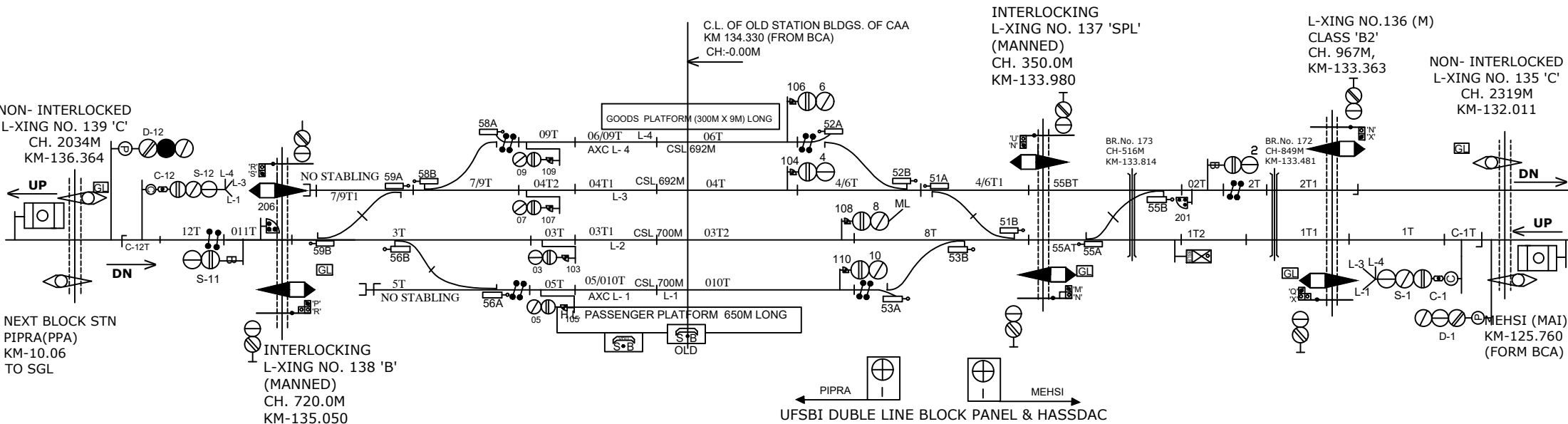
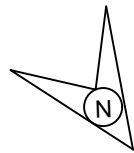


# CHAKIA STATION

pdf; k LVs' ku



NON- INTERLOCKED  
L-XING NO. 139 'C'  
CH. 2034M  
KM-136.364

INTERLOCKING  
L-XING NO. 137 'SPL'  
(MANNED)  
CH. 350.0M  
KM-133.980

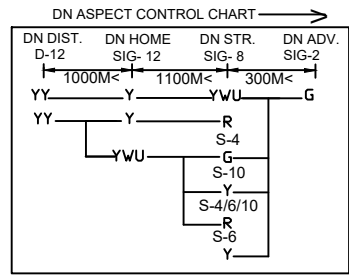
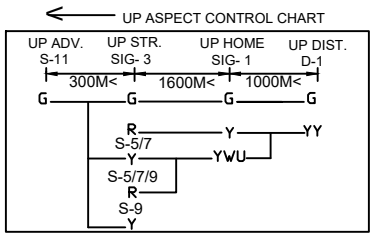
L-XING NO.136 (M)  
CLASS 'B2'  
CH. 967M,  
KM-133.363

NON- INTERLOCKED  
L-XING NO. 135 'C'  
CH. 2319M  
KM-132.011

NEXT BLOCK STN  
PIPRA(PPA)  
KM-10.06  
TO SGL

INTERLOCKING  
L-XING NO. 138 'B'  
(MANNED)  
CH. 720.0M  
KM-135.050

PIPRA  
MEHSI  
UFSBI DUBLE LINE BLOCK PANEL & HASSDAC



NOTE:-  
MAGNETO TELEPHONE CONNECTION PROVIDED WITH L.C NO.134 'C', 135 'C', 136 'B2' & 137 'SPL'  
BETWEEN CAA-MAI & LC NO.138 'B', 139 'C', 140 'C' & 141 'C' BETWEEN CAA - PPA.

CLASS OF STATION : B  
STD OF SIG & INTERLOCKING: STD-II

EAST CENTRAL RAILWAY  
SAMASTIPUR DIVISION

ELECTRIC INTERLOCKING (E.I)  
STATION WORKING RULE DIAGRAM  
MACL, STD-II (R), CLASS 'B'

CHAKIA  
pdf; k

SWRD NO.-

DY.CSTE/PROJ  
2015(RD)/04

SR.DSTE/SPJ DSTE/SPJ JE/DRG TO SUIT SIP NO. ECR/SIP/SPJ-CAA/322/2021 ALT-A2