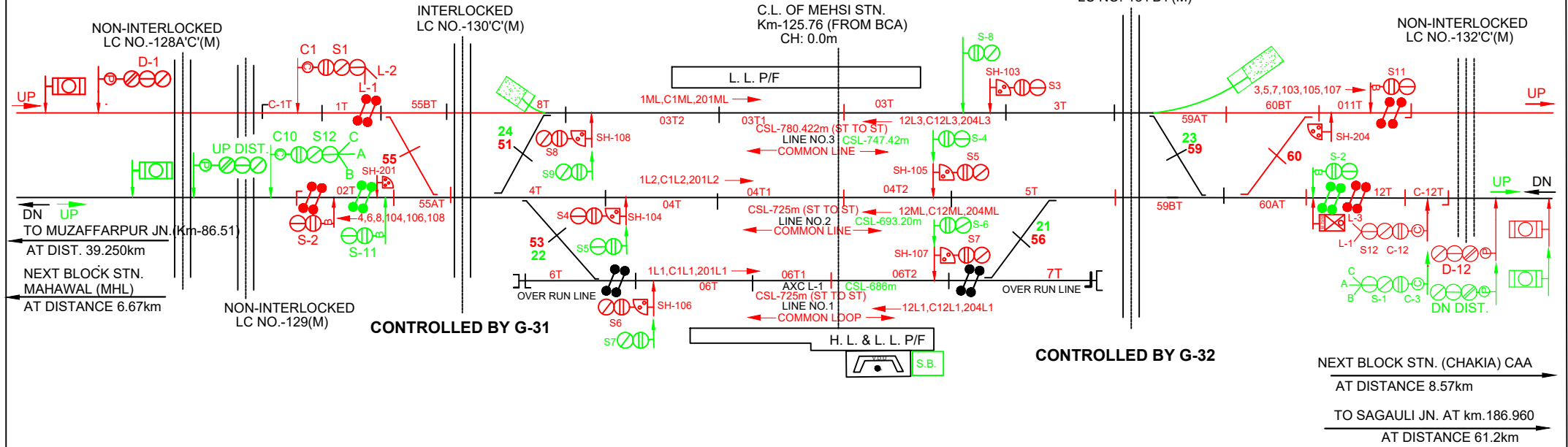


MEHSI (MAI)

DN ← → UP

C.L. OF MEHSI STN.
Km-125.76 (FROM BCA)
CH: 0.0m

CH HANDLES	CH HANDLES
CH-1-PT.21	CH-1-PT.51
CH-2-PT.22	CH-3-PT.53
CH-3-PT.23	CH-5-PT.55
CH-4-PT.24	CH-6-PT.56
	CH-9-PT.59
	CH-10-PT.60



TO MUZAFFARPUR JN. Km-86.51
AT DIST. 39.250km
NEXT BLOCK STN. MAHAWAL (MHL)
AT DISTANCE 6.67km

NEXT BLOCK STN. (CHAKIA) CAA
AT DISTANCE 8.57km
TO SAGAULI JN. AT km.186.960
AT DISTANCE 61.2km

LEGENDS:

1. GREEN-	DISMANTLING WORK
2. RED-	PROPOSED WORK
3. BLACK-	EXISTING WORK

TO SUIT SIP NO. ECR/SIP/SPJ/331/2008
SIP NO. ECR/SIP/SPJ-MAI/331/2021
BASED ON C.E'S DRG..NO. Y-128-2021
MACLS,'B' CLASS, STD.-II