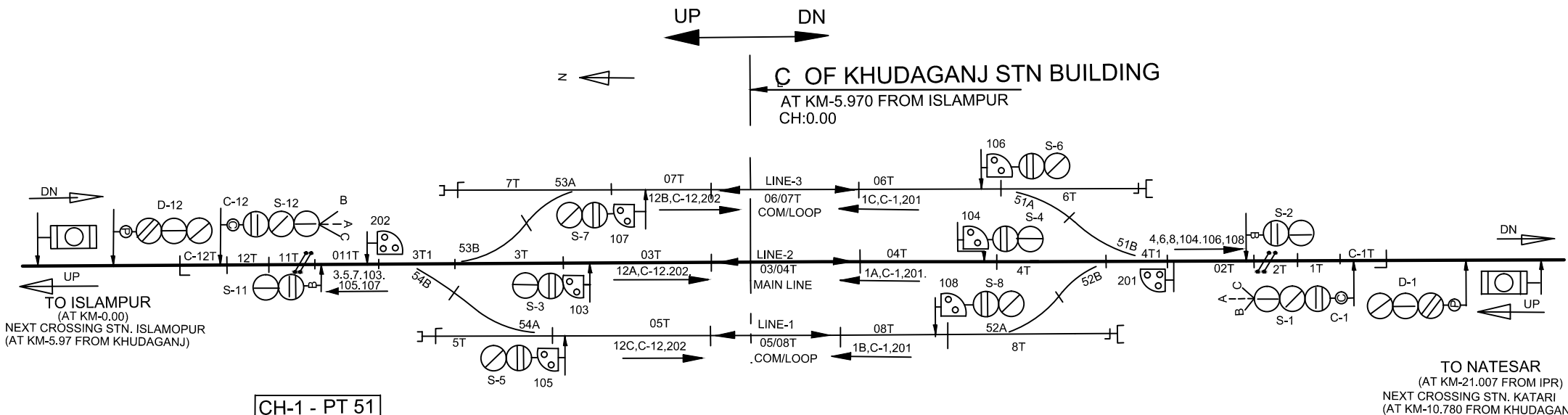


PRODUCED BY AN AUTODESK EDUCATIONAL PRODUCT

PRODUCED BY AN AUTODESK EDUCATIONAL PRODUCT

KHUDAGANJ



CH-1 - PT 51
CH-2 - PT 52
CH-3 - PT 53
CH-4 - PT 54

VDU DETAILS:-

MAIN SIGNAL	: 1,2,3,4,5,6,7,8,11,12.
CALLING - ON SIGNAL	: C-1,C-12.
POINT	: 51,52,53,54
CRANK HANDLE CONTROL	: CH-1,CH-2,CH-3,CH-4.
SHUNT SIGNAL	: 103,104,105,106,107,108,201,202.

KHUDAGANJ STATION MACL, CLASS-B, STD-II(R) SIP NO.- ECR/SIP/DNR/524/2016 ALT-II
--