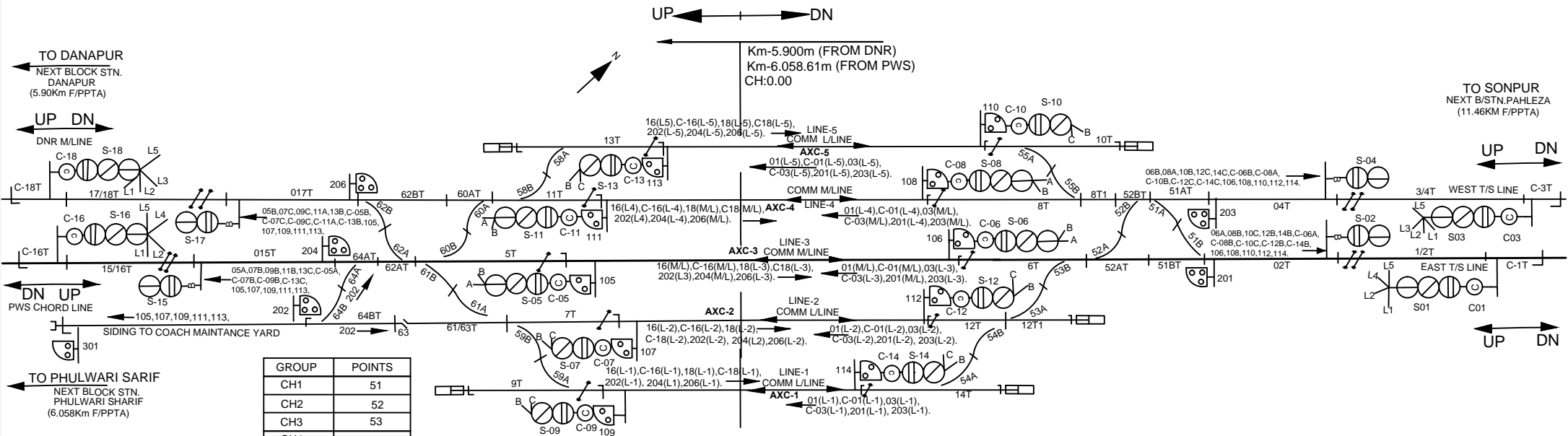


PATLIPUTRA (PPTA)



GROUP	POINTS
CH1	51
CH2	52
CH3	53
CH4	54
CH5	55
CH8	58
CH9	59
CH10	60
CH11	61. 63.
CH12	62
CH13	64

VDU DETAILS:-

- MAIN SIGNAL - 01. 02. 03. 04. 05. 06. 07. 08. 09. 10. 11. 12. 13. 14. 15. 16. 17. 18.
- CALLING - ON SIGNAL - C-01. C-03. C-05. C-06. C-07. C-08. C-09. C-10. C-11. C-12. C-13. C-14. C-16. C-18.
- SHUNT SIGNAL - 105. 106. 107. 108. 109. 110. 111. 112. 113. 114. 201. 202. 203. 204. 206.
- DEAD SHUNT SIGNAL - 301
- POINT - 51. 52. 53. 54. 55. 58. 59. 60. 61. 62. 63. 64.
- CRANK HANDLE CONTROL - CH-1, CH-2, CH-3, CH-4. CH-5. CH-8. CH-9.CH-10, CH-11, CH-12, CH-13.

DT:11.03.21

PATLIPUTRA STATION
 MACL,CLASS-B,STD-II(R)
 SIP NO.-ECR/SIP/DNR/504/2021