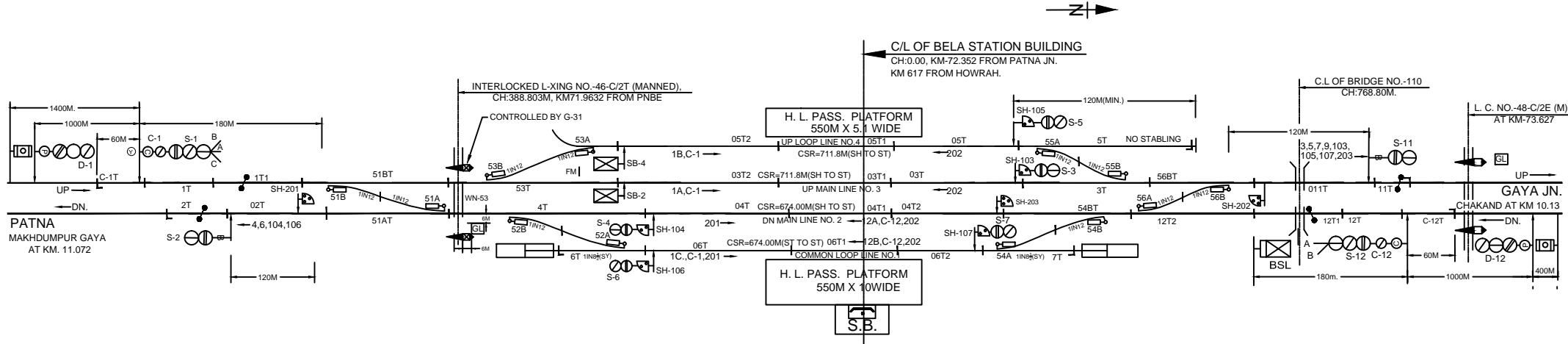
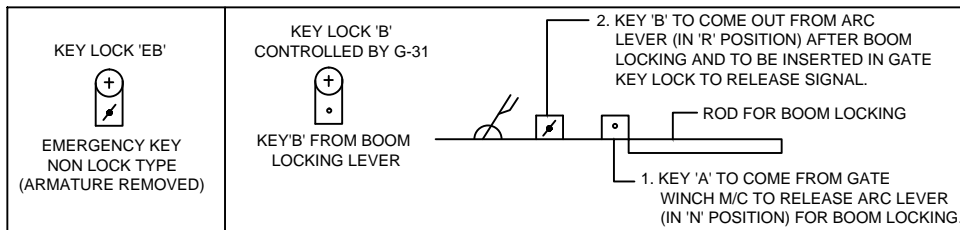


BELA (BELA)



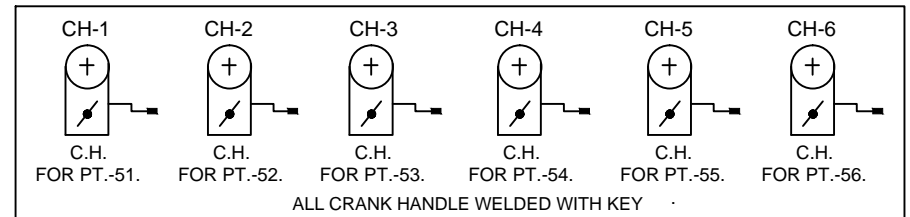
AT GATE LODGE OF L.C. 46-C/2T



PANEL DETAILS

- MAIN SIGNAL BUTTONS : 1,2,3,4,5,6,7,11,12.
- C-ON SIGNAL BUTTONS : C-1,C-12.
- SHUNT SIGNAL BUTTONS : 103,104,105,106,107,201, 202,203.
- POINTS CONTROL BUTTONS: 51,52,53,54,55,56,.
- CH CONTROL BUTTONS : CH-1,CH-2,CH-3,CH-4,CH-5,CH-6.
- LC GATE CONTROL BUTTONS : G-31.

IN PANEL ROOM



NOTE:-

- ABSOLUTE BLOCK SYSTEM OF WORKING WITH CHAKAND & MAKHDUMPUR GAYA STATION.
- MAGNETO TELEPHONE PROVIDED BETWEEN PANEL ROOM, GATE NO- 46 'C' & 48 'C'.
- ALL ANGLE OF X-ING ARE 1 IN 12 EXCEPT AS MENTIONED.
- CONTROL TELEPHONE PROVIDED AT PANEL ROOM.
- LED SIGNAL PROVIDED FOR ALL MACL SIGNALS.
- THIS SIP HAS BEEN MADE IN CONNECTION WITH DOUBLING OF PATNA-GAYA SECTION.
- SIGNALLING INSTALLATION HAS BEEN MADE TO SUIT RE SPECIFICATION.
- LOCKING ARRANGEMENT OF BOOM LOCK LEVER TO BE IN CONFIRMITY WITH DRG. NO.SI 06678 DT. 19.11.99.
- UFSBI BLOCK PANEL WITH BPAC (SSDAC) WORKING BETWEEN BELA - CHAKAND.
- UFSBI BLOCK PANEL WITH BPAC (SSDAC)WORKING BETWEEN BELA - MAKHDUMPUR.

EAST CENTRAL RAILWAY				PANEL SIGNALLING PLAN	BELA (BELA)	SR. NO. PG-10.
DANAPUR DIVISION	SR.DSTE/ECR/DNR	ASTE/ECR/DNR	SSE/DRG/DNR	MACL, STD-II(R), CLASS-'B'.		ECR/SIP/DNR/297/2010. ALT-IV