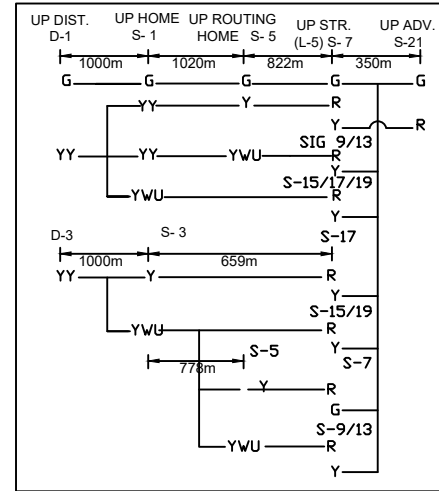


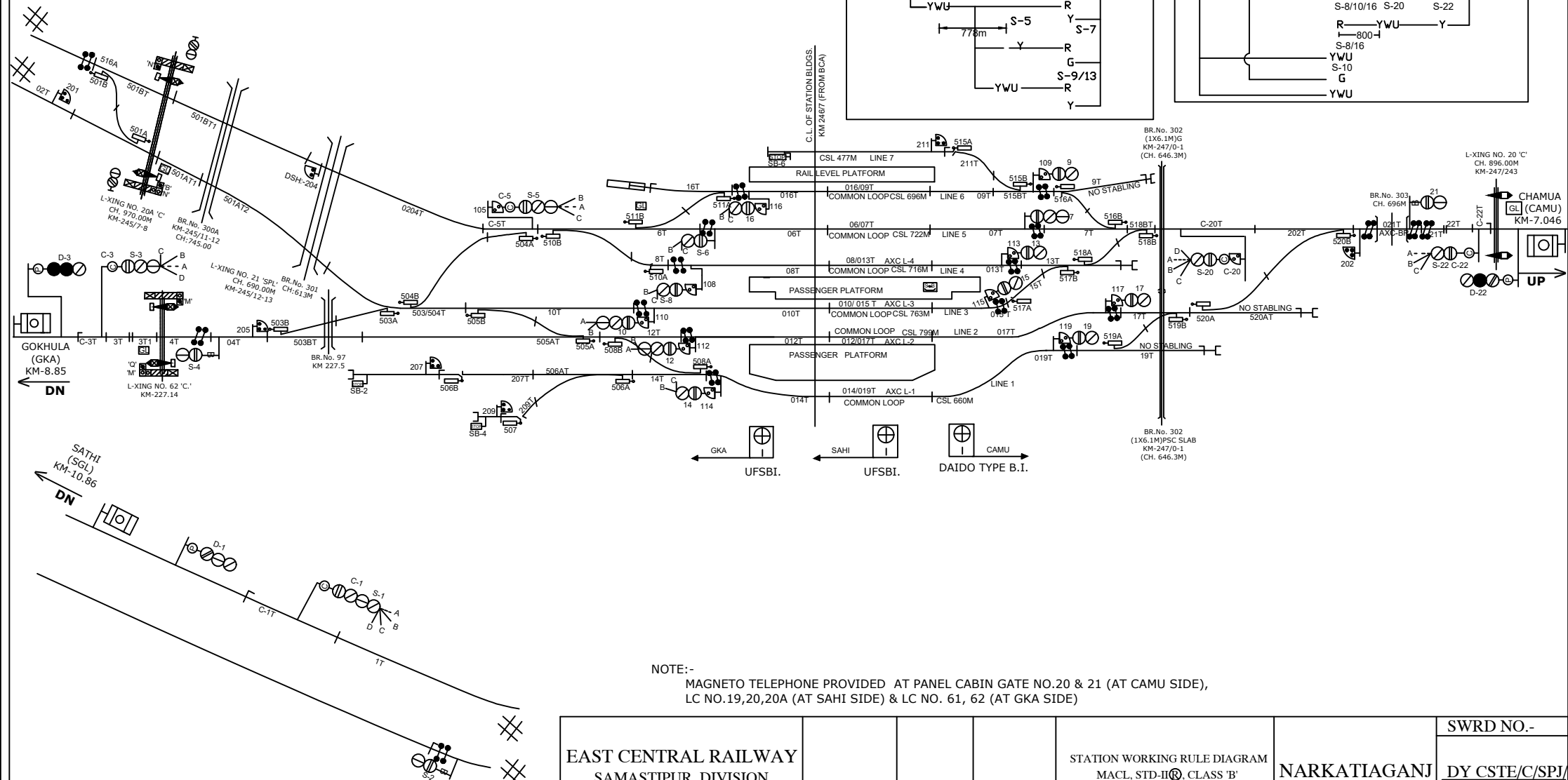
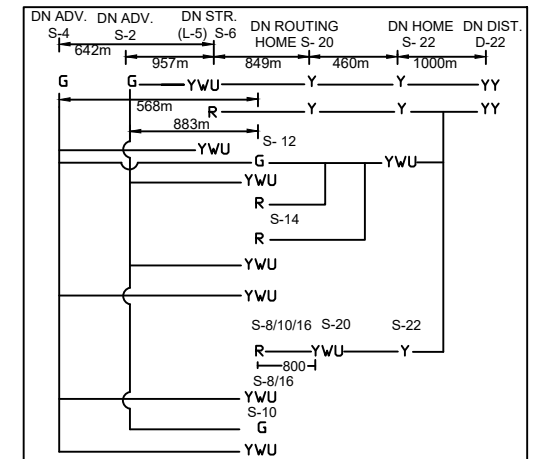
NARKATIAGANJ STATION

नरकटियागंज स्टेशन

UP ASPECT CONTROL CHART



DN ASPECT CONTROL CHART



NOTE:-
MAGNETO TELEPHONE PROVIDED AT PANEL CABIN GATE NO.20 & 21 (AT CAMU SIDE),
LC NO.19,20A (AT SAHI SIDE) & LC NO. 61, 62 (AT GKA SIDE)

CLASS OF STATION : B
STD OF SIG & INTERLOCKING: STD-II®

EAST CENTRAL RAILWAY SAMASTIPUR DIVISION			STATION WORKING RULE DIAGRAM MACL, STD-II®, CLASS 'B'	NARKATIAGANJ	SWRD NO. -
					DY CSTE/C/SPJ/ 2017(RD)/02
	Sr.DSTE/SPJ	DSTE/SPJ	JE/DRG	TO SUIT SIP NO. ECR/SIP/SPJ/343/2016 ALT-IX	