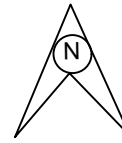


# PRATAPGANJ STATION

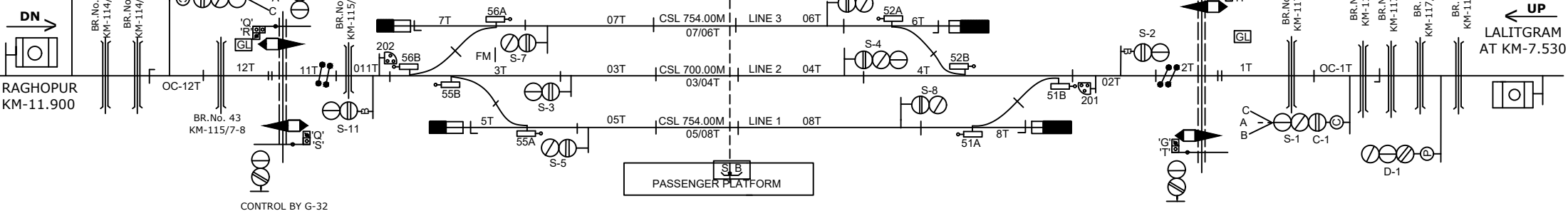
## प्रतापगंज स्टेशन



C.L. OF STN. BUILDING PRATAPGANJ  
KM 74.490 (FROM SHC)

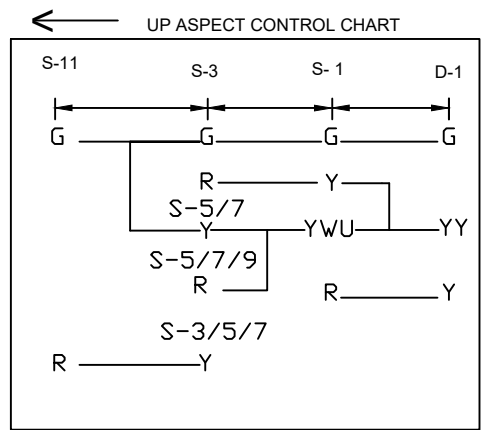
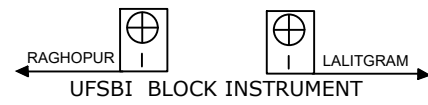
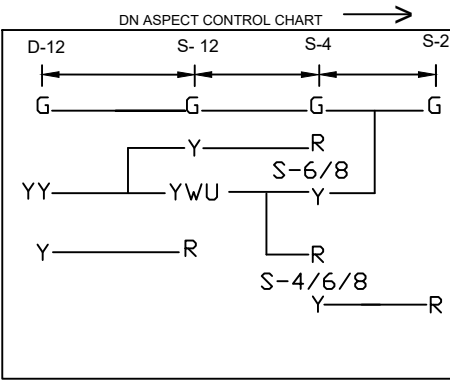
INTERLOCKED  
L-XING NO. 30 'B'  
(MANNED)  
AT KM 115/9-10  
CH:-902M

INTERLOCKED  
L-XING NO. 32 'C'  
(MANNED)  
AT KM 117/1-2  
CH:-721.750M



DN  
RAGHOPUR  
KM-11.900

UP  
LALITGRAM  
AT KM-7.530



NOTE:-  
MEGNETO TELEPHONE PROVIDED AT LC GATE No.25, 26, 27, 28, 30'B', 32 & 38.

CLASS OF STATION : B  
STD OF SIG & INTERLOCKING: STD-II®

EAST CENTRAL RAILWAY SAMASTIPUR DIVISION				(E.I) STATION WORKING RULE DIAGRAM MACL, STD-II® CLASS 'B'	PRATAPGANJ	SWRD NO.-
				Sr.DSTE/SPJ		DSTE/SPJ