

# BANMANKHI STATION

cuea[ kh LV's ku

LC NO. 46 'SPL'(M)  
CH.1116.00  
KM-37/9-10

DN  
UP

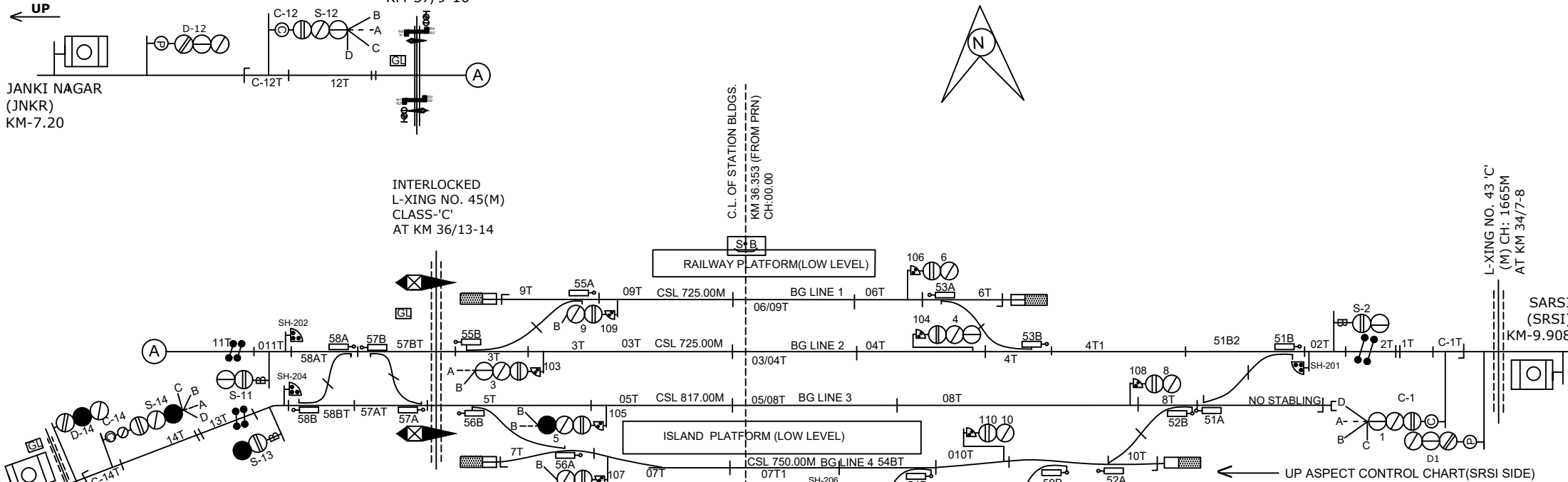
JANKI NAGAR  
(JNKR)  
KM-7.20

INTERLOCKED  
L-XING NO. 45(M)  
CLASS-'C'  
AT KM 36/13-14

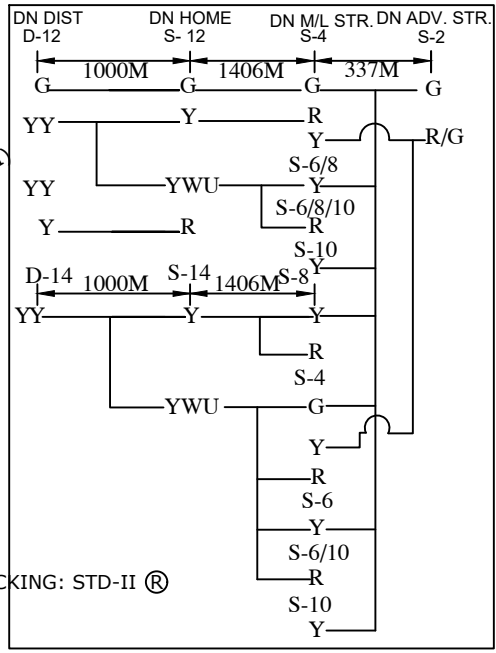
C.L. OF STATION BLDGS.  
KM 36.353 (FROM PRN)  
CH-00.00

L-XING NO. 43 'C'  
(M) CH: 1665M  
AT KM 34/7-8

SARSI  
(SRSI)  
KM-9.908



UP  
DN  
LC NO. 3 'C'(M)  
CH.2322M  
KM-2/3-4  
NEXT BLOCK STATION  
BARHARAKOTHI  
KM-15.853 (FROM BNKI)



NOTE:-  
MAGNETO TELEPHONE PROVIDED BETWEEN PANEL ROOM L.C. GATE NO. 42'SPL' BETWEEN BNKI-SRSI AND 3,4,6,7,40,41,43,45'C', 46,47,48 & 49 BETWEEN JNKR-BNKI.

CLASS OF STATION : B  
STD OF SIG & INTERLOCKING: STD-II ®

EAST CENTRAL RAILWAY SAMASTIPUR DIVISION	SR.DSTE/SPJ	DSTE/SPJ	JE/DRG	STATION WORKING RULE DIAGRAM MACL, STD-II® CLASS 'B'	BANMANKHI	SWRD NO.-
				TO SUIT SIP NO. ECR/SIP/SPJ/413/2016 ALT-VIII		DY.CSTE/C/SPJ 2013/RD/06