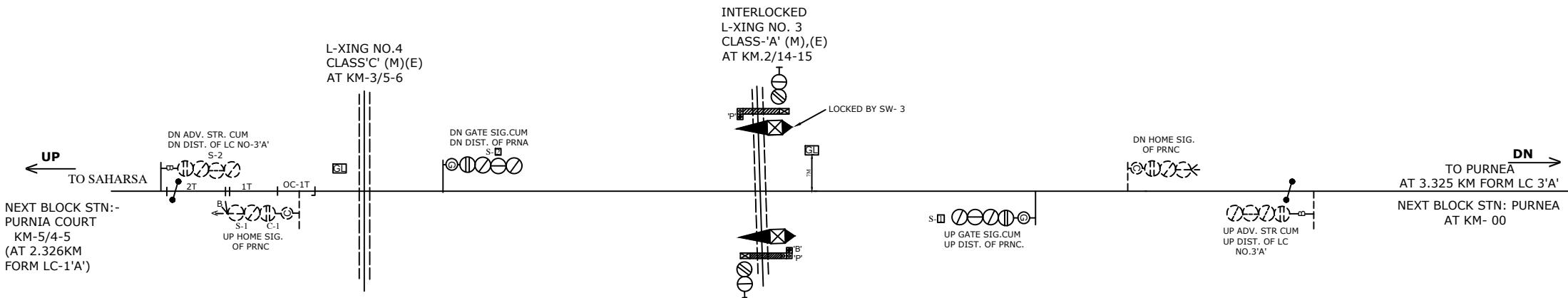
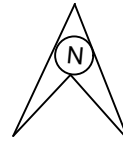


# L.C NO.3 'A'



- NOTE:-
- 1.MAGNETO TELEPHONE PROVIDED BETWEEN LC NO. 3'A' & PURNEA STATION.
  - 2.LED LIT LAMPS PROVIDED FOR ALL SIGNALS.
  - 3.DEAD APPROACH LOCKING PROVIDED AT LC GATE 3'A' WITH 60 SEC. TIME DELAY AS PER RL BOARD L.NO:-2000/SAFETY(A&R)/19/39/PT-II DT:-10.06.2014.

<b>E.C. RAILWAY</b> SAMASTIPUR DIVISION				<b>STATION WORKING RULE DIAGRAM</b> <b>OF L-XING No.3'A'</b> <b>BETWEEN</b> <b>PURNEA - PURNEACOURT</b> <b>AT KM 2/14-15</b>	NOT TO SCALE SWRD NO.
				SR./DSTE/SPJ	DSTE/SPJ
				TO SUIT SIP No.ECR/SIP/SPJ/L-XING-3 'A'/2016 ALT-III	