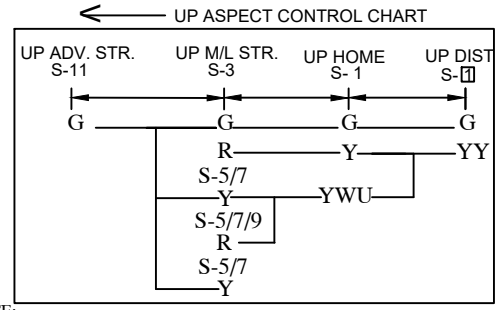
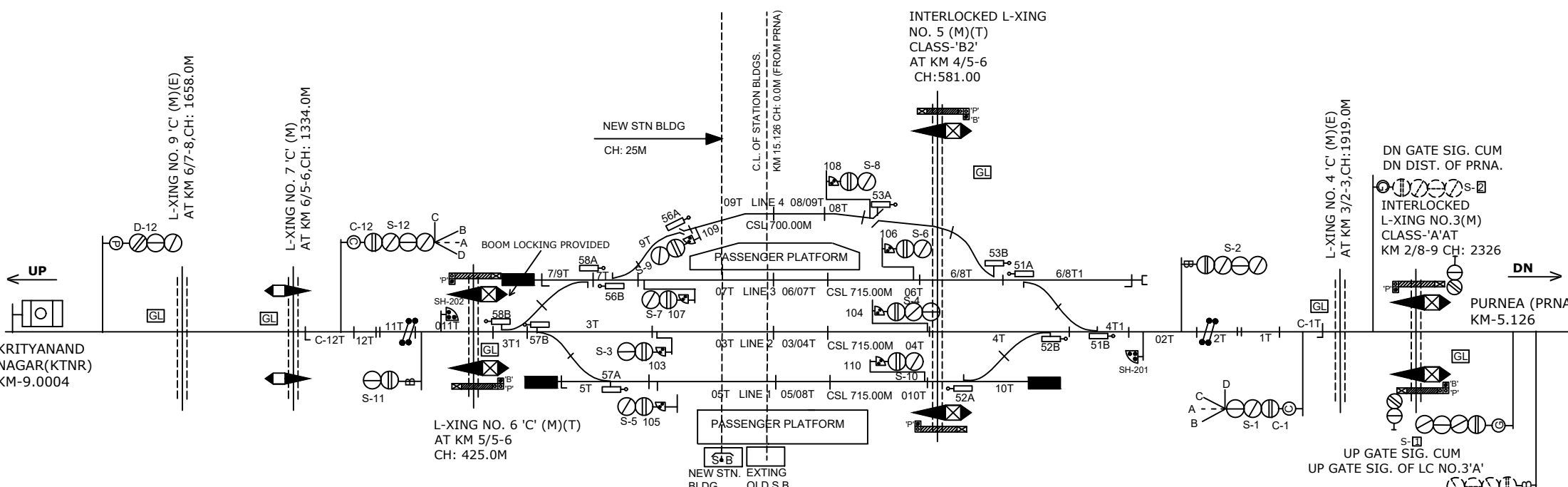
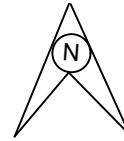


PURNEA COURT STATION

i f. k z k d k v z L V s k u



NOTE:- MAGNETO TELEPHONE PROVIDED BETWEEN PANEL ROOM L.C. GATE NO. 2'C',3'A',4'C',5'B2', BETWEEN PRNC-PRNA AND 6'C',7'C',9'C',12'C' & 13'C' BETWEEN PRNC-KTNR.

CLASS OF STATION : B
STD OF SIG & INTERLOCKING: STD-II ®

EAST CENTRAL RAILWAY SAMASTIPUR DIVISION	SR.DSTE/SPJ	DSTE/SPJ	JE/DRG	STATION WORKING RULE DIAGRAM MACL, STD-II ® CLASS 'B'	PURNEA COURT i f. k z k d k v z	SWRD NO.-
						DY.CSTE/CON/SPJ 2015/(R.D)/06

TO SUIT SIP NO. ECR/SIP/SPJ/416/2015 ALT-VI