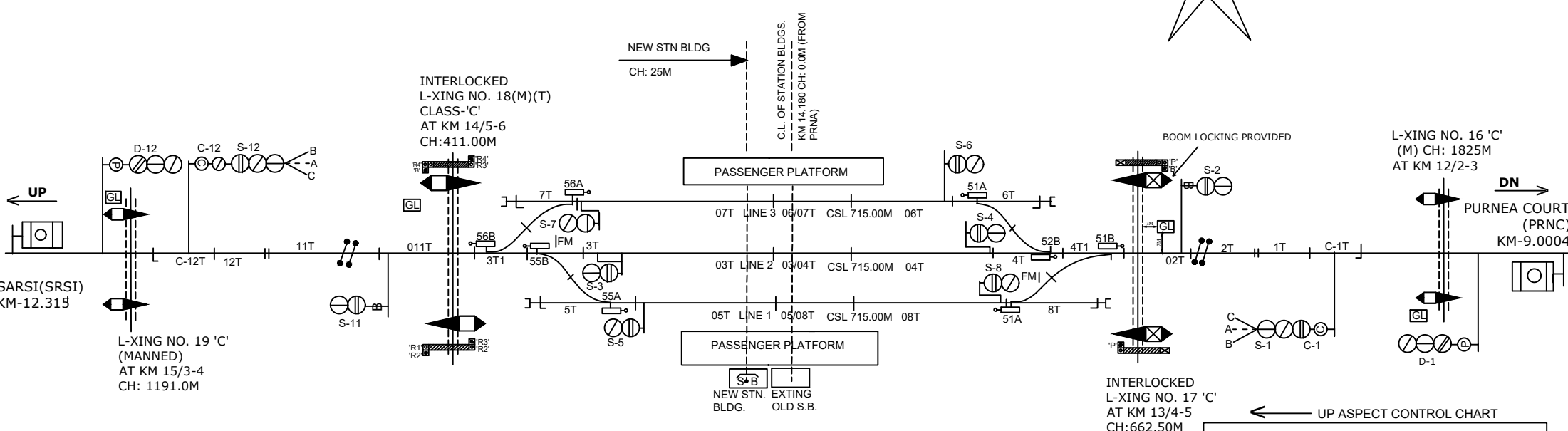
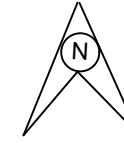


# KRITYANAND NAGAR STATION

dR; kun uxj LV's ku



SARSI(SRSI)  
KM-12.315

L-XING NO. 19 'C'  
(MANNED)  
AT KM 15/3-4  
CH: 1191.0M

INTERLOCKED  
L-XING NO. 18(M)(T)  
CLASS-'C'  
AT KM 14/5-6  
CH:411.00M

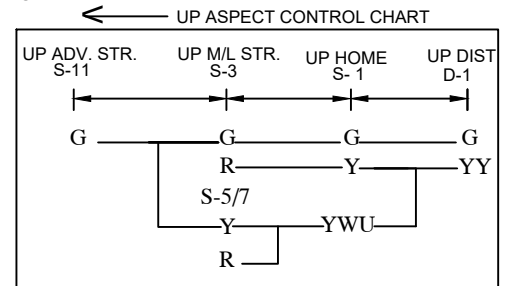
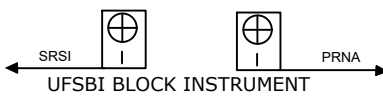
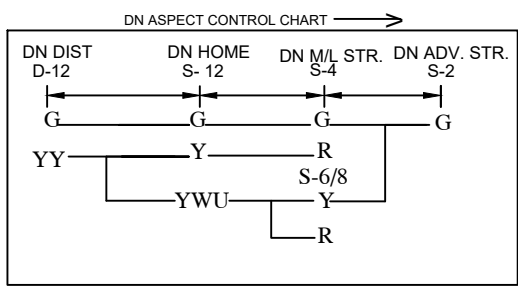
NEW STN BLDG  
CH: 25M

C.L. OF STATION BLDGS.  
KM 14.180 CH: 0.0M (FROM  
PRNA)

BOOM LOCKING PROVIDED

L-XING NO. 16 'C'  
(M) CH: 1825M  
AT KM 12/2-3

DN →  
PURNEA COURT  
(PRNC)  
KM-9.0004



NOTE:-  
MAGNETO TELEPHONE PROVIDED BETWEEN PANEL ROOM L.C. GATE NO. 14'C, 15'C, 16'C & 17'C  
BETWEEN KTNR-PRNC AND 18'C, 19'C, 21'C, 22'C, & 23'C BETWEEN SRSI-KTNR.

CLASS OF STATION : B  
STD OF SIG & INTERLOCKING: STD-II ®

EAST CENTRAL RAILWAY  
SAMASTIPUR DIVISION

STATION WORKING RULE DIAGRAM  
MACL, STD-II®, CLASS 'B'

**KRITYANAND NAGAR**  
dR; kun uxj

SWRD NO.-

DY.CSTE/CON/SPJ  
2015/(R.D)/01

SR.DSTE/SPJ DSTE/SPJ JE/DRG TO SUIT SIP NO. ECR/SIP/SPJ/415/2014 ALT-VI