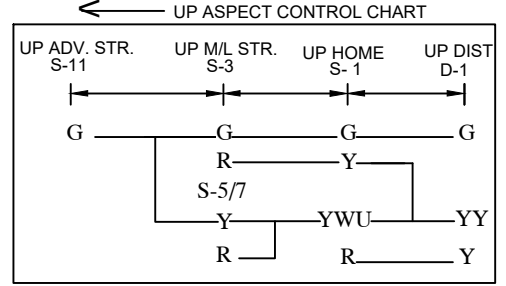
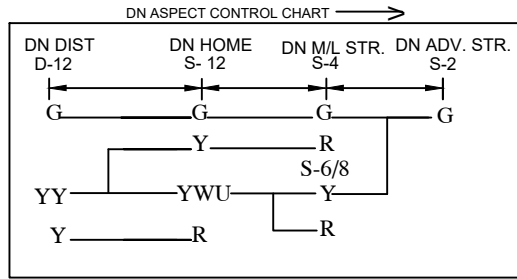
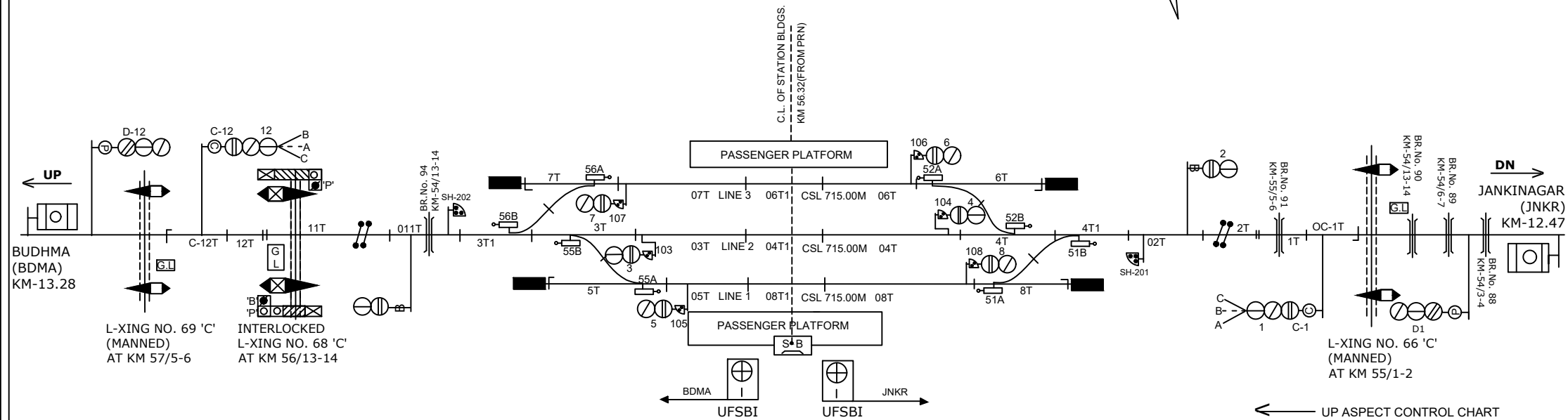
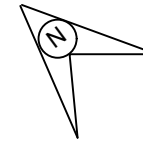


MURLIGANJ STATION

Ekj yhxat LV's ku



NOTE:-
MAGNETO TELEPHONE PROVIDED BETWEEN PANEL ROOM L.C. GATE NO. 62'C 63'C 64'C 66'C 68'C,69'C, 70'C 71'C, 72'C & 74'C BETWEEN MRIJ-BDMA.

CLASS OF STATION : B
STD OF SIG & INTERLOCKING: STD-II ®

EAST CENTRAL RAILWAY SAMASTIPUR DIVISION				STATION WORKING RULE DIAGRAM MACL, STD-II® CLASS 'B'	MURLIGANJ	SWRD NO.-
				TO SUIT SIP NO. ECR/SIP/SPJ/411/2012 ALT-VI		DY.CSTE/C/SPJ 2012/RD/05
SR.DSTE/SPJ	DSTE/SPJ	JE/DRG				