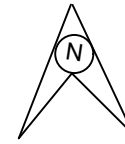


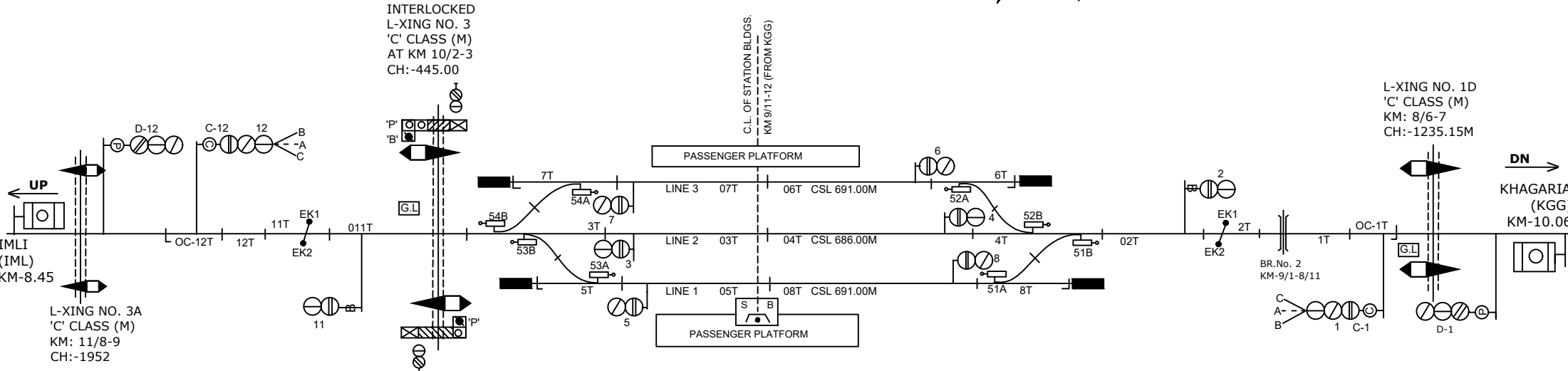
OLAPUR STATION

ओलापुर स्टेशन



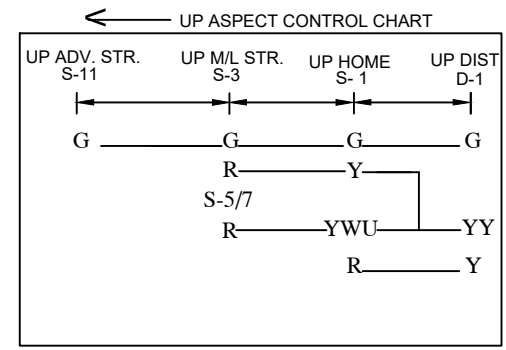
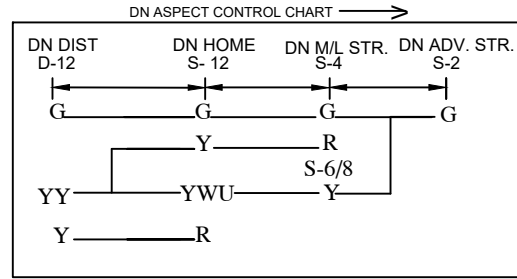
INTERLOCKED
L-XING NO. 3
'C' CLASS (M)
AT KM 10/2-3
CH:-445.00

L-XING NO. 1D
'C' CLASS (M)
KM: 8/6-7
CH:-1235.15M



UP ←
IMLI (IML)
KM-8.45
L-XING NO. 3A
'C' CLASS (M)
KM: 11/8-9
CH:-1952

DN →
KHAGARIA (KGG)
KM-10.06



NOTE:
MAGNETO TELEPHONE PROVIDED BETWEEN PANEL CABIN & L.C.
GATE NO.: -1A'C', 1B'B', 1C'C' & 1D'C' BETWEEN OLP-KGG AND
3'C' 3A'C' & 3B'C' BETWEEN IMLI-OLP.

CLASS OF STATION : B
STD OF SIG & INTERLOCKING: STD-II (R)

EAST CENTRAL RAILWAY SAMASTIPUR DIVISION	SR.DSTE/SPJ	DSTE/SPJ	JE/DRG	STATION WORKING RULE DIAGRAM MACL, STD-II (R), CLASS 'B'	OLAPUR	SWRD NO.-
				TO SUIT SIP NO. ECR/SIP/SPJ/401/2006 ALT-XI		SR.DSTE/SPJ 2018/RD/22