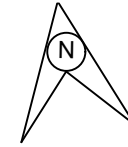


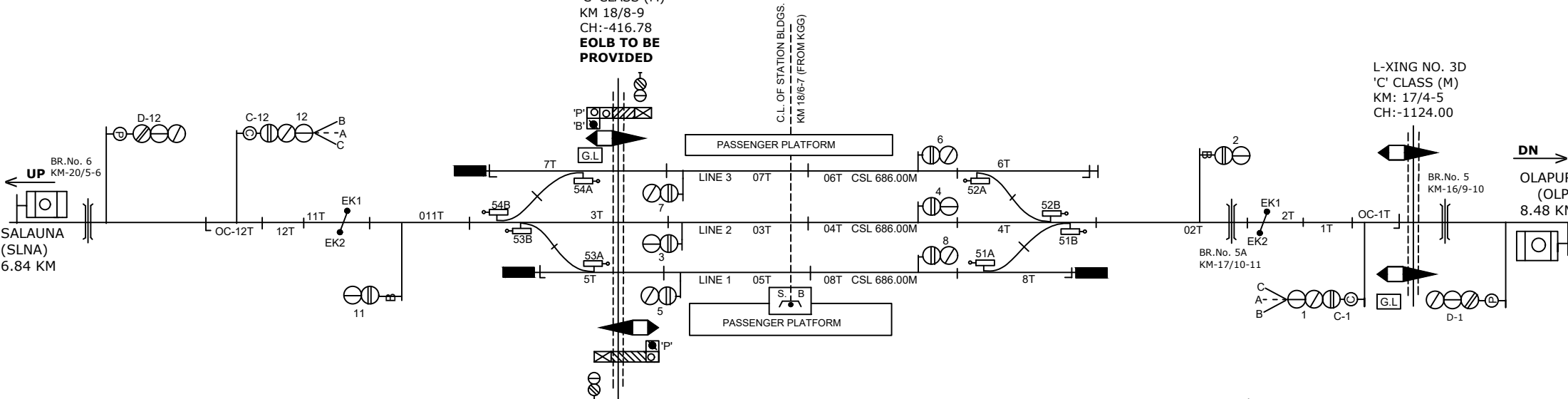
IMLI STATION

इमली स्टेशन



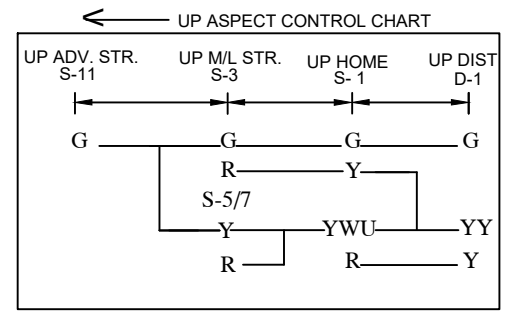
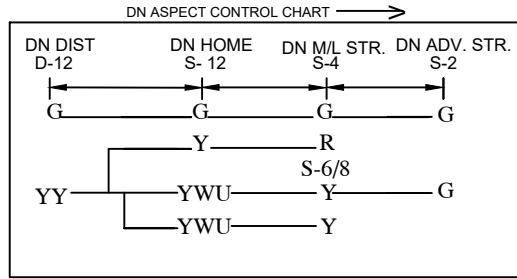
INTERLOCKED
L-XING NO. 5
'C' CLASS (M)
KM 18/8-9
CH:-416.78
EOLB TO BE PROVIDED

L-XING NO. 3D
'C' CLASS (M)
KM: 17/4-5
CH:-1124.00



BR.No. 6
KM-20/5-6
SALAUNA (SLNA)
6.84 KM

BR.No. 5
KM-16/9-10
OLAPUR (OLP)
8.48 KM



NOTE:
MAGNETO TELEPHONE PROVIDED BETWEEN PANEL CABIN & L.C. GATE
NO.:-3'C, 3D'C' BETWEEN IMLI-OLP 5'C' BETWEEN SLNA-IMLI.

CLASS OF STATION : B
STD OF SIG & INTERLOCKING: STD-II ®

EAST CENTRAL RAILWAY
SAMASTIPUR DIVISION

STATION WORKING RULE DIAGRAM
MACL, STD-II ® , CLASS 'B'

IMLI

SWRD NO.-

SR.DSTE/SPJ
2018/RD/21

SR.DSTE/SPJ DSTE/SPJ JE/DRG TO SUIT SIP NO. ECR/SIP/SPJ/400/2006 ALT-VII