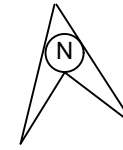


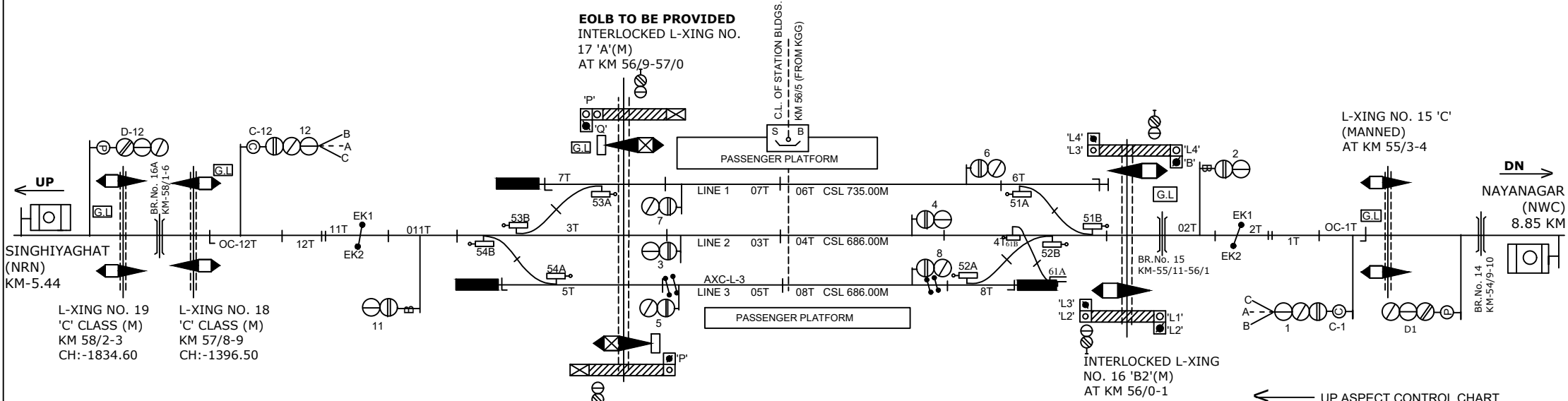
RUSERAGHAT STATION

रोसराघाट स्टेशन



EOLB TO BE PROVIDED
INTERLOCKED L-XING NO.
17 'A'(M)
AT KM 56/9-57/0

C.L. OF STATION BLDGS.
KM 56/5 (FROM KGG)



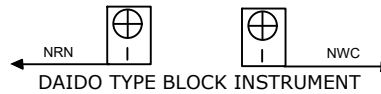
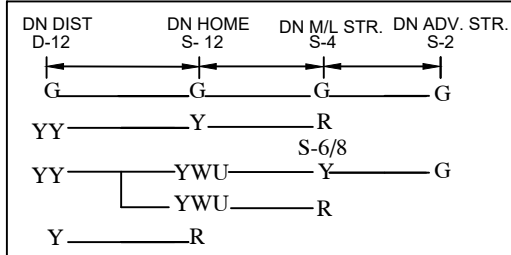
SINGHIYAGHAT (NRN)
 KM-5.44

L-XING NO. 19
 'C' CLASS (M)
 KM 58/2-3
 CH:-1834.60

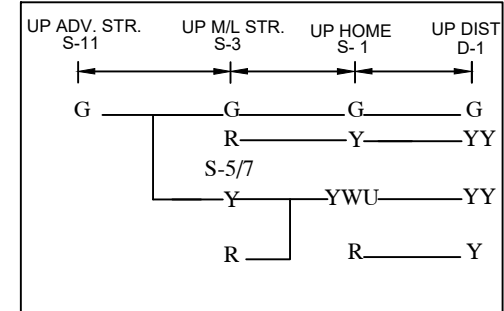
L-XING NO. 18
 'C' CLASS (M)
 KM 57/8-9
 CH:-1396.50

DN →
 NAYANAGAR (NWC)
 8.85 KM

DN ASPECT CONTROL CHART →



← UP ASPECT CONTROL CHART



NOTE:
 MAGNETO TELEPHONE PROVIDED BETWEEN SM'S OFFICE AND GATE NO.: -13'C' 14'B2', 15'C', 16'B' BETWEEN ROA-NWC AND 17'A', 18'C' & 19'C' BETWEEN NRN-ROA.

CLASS OF STATION : B
 STD OF SIG & INTERLOCKING: STD-II ®

EAST CENTRAL RAILWAY SAMASTIPUR DIVISION				STATION WORKING RULE DIAGRAM MACL, STD-II ® , CLASS 'B'	RUSERAGHAT	SWRD NO.-
	SR.DSTE/SPJ	DSTE/SPJ	JE/DRG	TO SUIT SIP NO. ECR/SIP/SPJ/395/2006 ALT-XI		SR.DSTE/SPJ 2018/RD/14