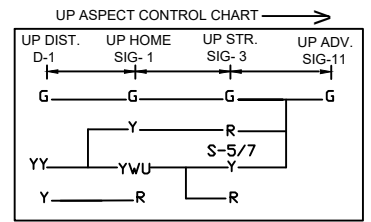
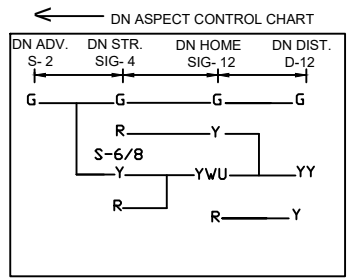
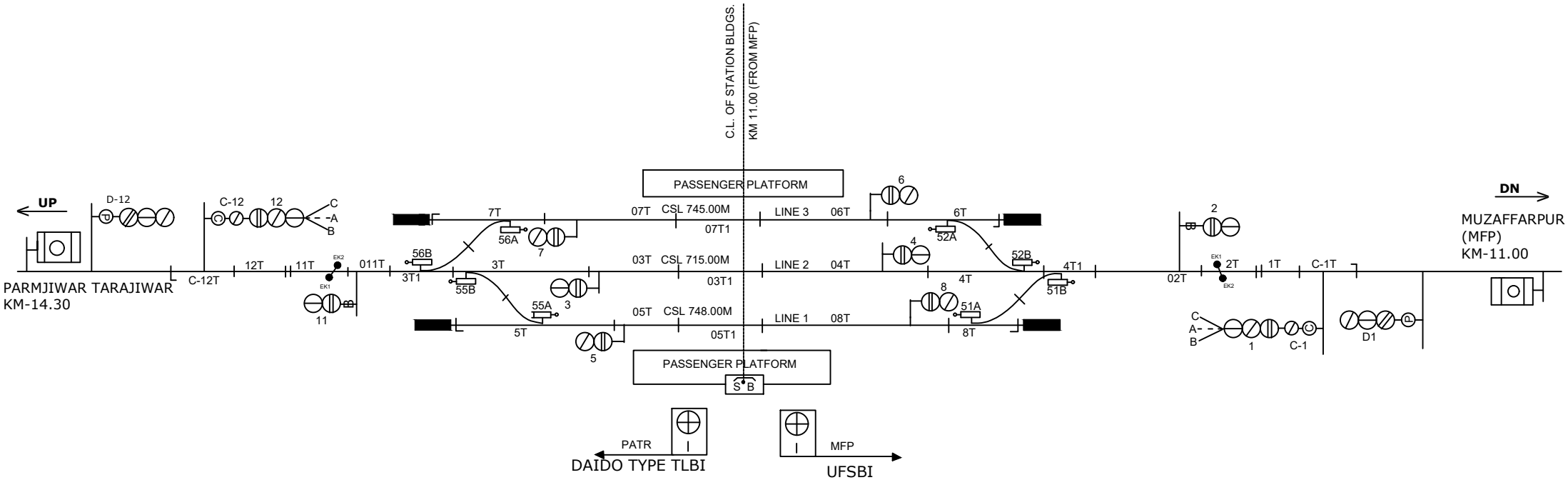
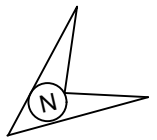


JUBBA SAHANI STATION

जुब्बा साहनी स्टेशन



NOTE:-
MAGNETO TELEPHONE PROVIDED BETWEEN PANEL ROOM GATE NO.1, 2, 3, 4, 6, 7, 8.

CLASS OF STATION : B
STD OF SIG & INTERLOCKING: STD-II ®

EAST CENTRAL RAILWAY SAMASTIPUR DIVISION				STATION WORKING RULE DIAGRAM MACL, STD-II® CLASS 'B'	JUBBA SAHANI	SWRD NO.-
	SR.DSTE/SPJ	DSTE/SPJ	JE/DRG	TO SUIT SIP NO. ECR/SIP/SPJ/436/2010 ALT-VIII		DY.CSTE/C/I/SPJ 2011/RD/10