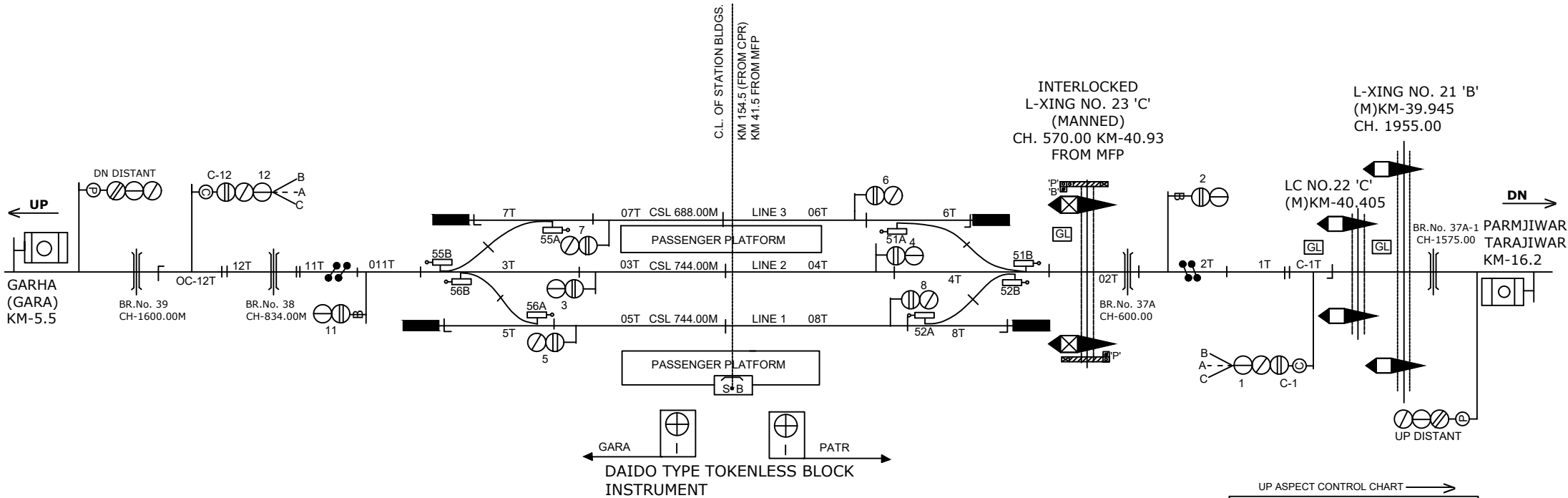
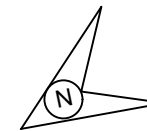
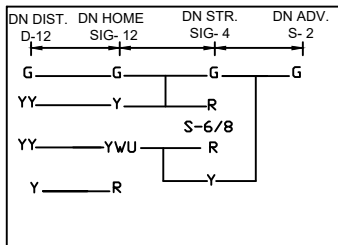


RUNNI-SAIDPUR STATION

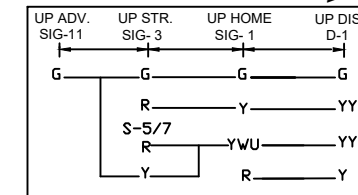
रुनीसैदपुर स्टेशन



← DN ASPECT CONTROL CHART



UP ASPECT CONTROL CHART →



NOTE:-
MAGNETO TELEPHONE PROVIDED BETWEEN PANEL ROOM GATE NO.16,17,17A,18,19,20,21
22,23,24

CLASS OF STATION : B
STD OF SIG & INTERLOCKING: STD-III

EAST CENTRAL RAILWAY
SAMASTIPUR DIVISION

STATION WORKING RULE DIAGRAM
MACL, STD-II® CLASS 'B'

RUNNI-SAIDPUR
DY.CSTE/C-I/SPJ
2010/RD/08

SWRD NO.-

SR.DSTE/SPJ DSTE/SPJ JE/DRG

TO SUIT SIP NO. ECR/SIP/SPJ/438/2007 ALT-V