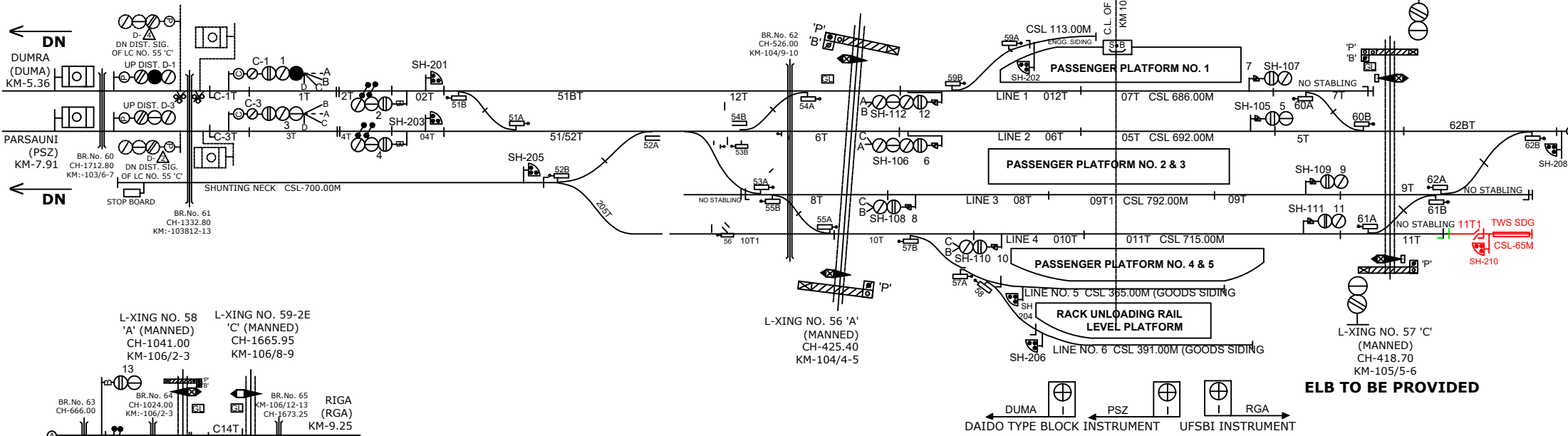


# SITAMARHI STATION

## I hrkech LV's ku



L-XING NO. 58  
'A' (MANNED)  
CH-1041.00  
KM-106/2-3

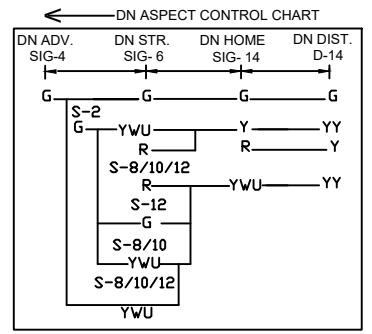
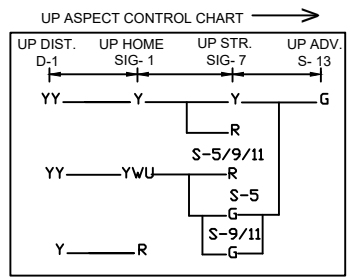
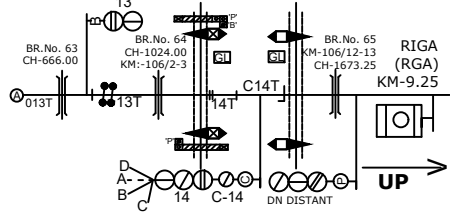
L-XING NO. 59-2E  
'C' (MANNED)  
CH-1665.95  
KM-106/8-9

L-XING NO. 56 'A'  
(MANNED)  
CH-425.40  
KM-104/4-5

L-XING NO. 57 'C'  
(MANNED)  
CH-418.70  
KM-105/5-6

**ELB TO BE PROVIDED**

DAIDO TYPE BLOCK INSTRUMENT UFSBI INSTRUMENT



NOTE:-  
MAGNETO TELEPHONE PROVIDED BETWEEN PANEL CABIN GATE NO. 54'C, 55 'C', 56'A'  
BETWEEN SMI-PSZ AND 57'C, 58'A', 59'C' AND 60'C' BETWEEN SMI-RGA.

CLASS OF STATION : B  
STD OF SIG & INTERLOCKING: STD-II ®

EAST CENTRAL RAILWAY SAMASTIPUR DIVISION	SR.DSTE/SPJ	DSTE/SPJ	JE/DRG	STATION WORKING RULE DIAGRAM MACL, STD-II®. CLASS 'B'	SITAMARHI	SWRD NO.-
				TO SUIT SIP NO. ECR/SIP/SPJ/364/2009 ALT-VIII		DY.CS/TE/RE/DNR 03/2021/(RD)