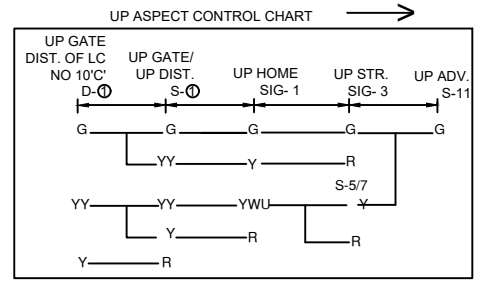
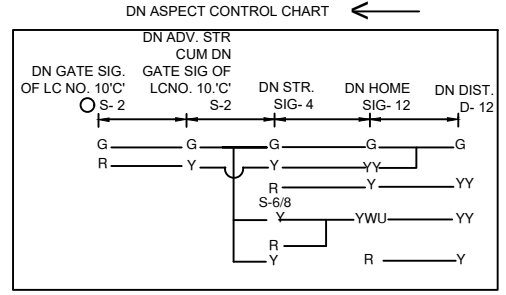
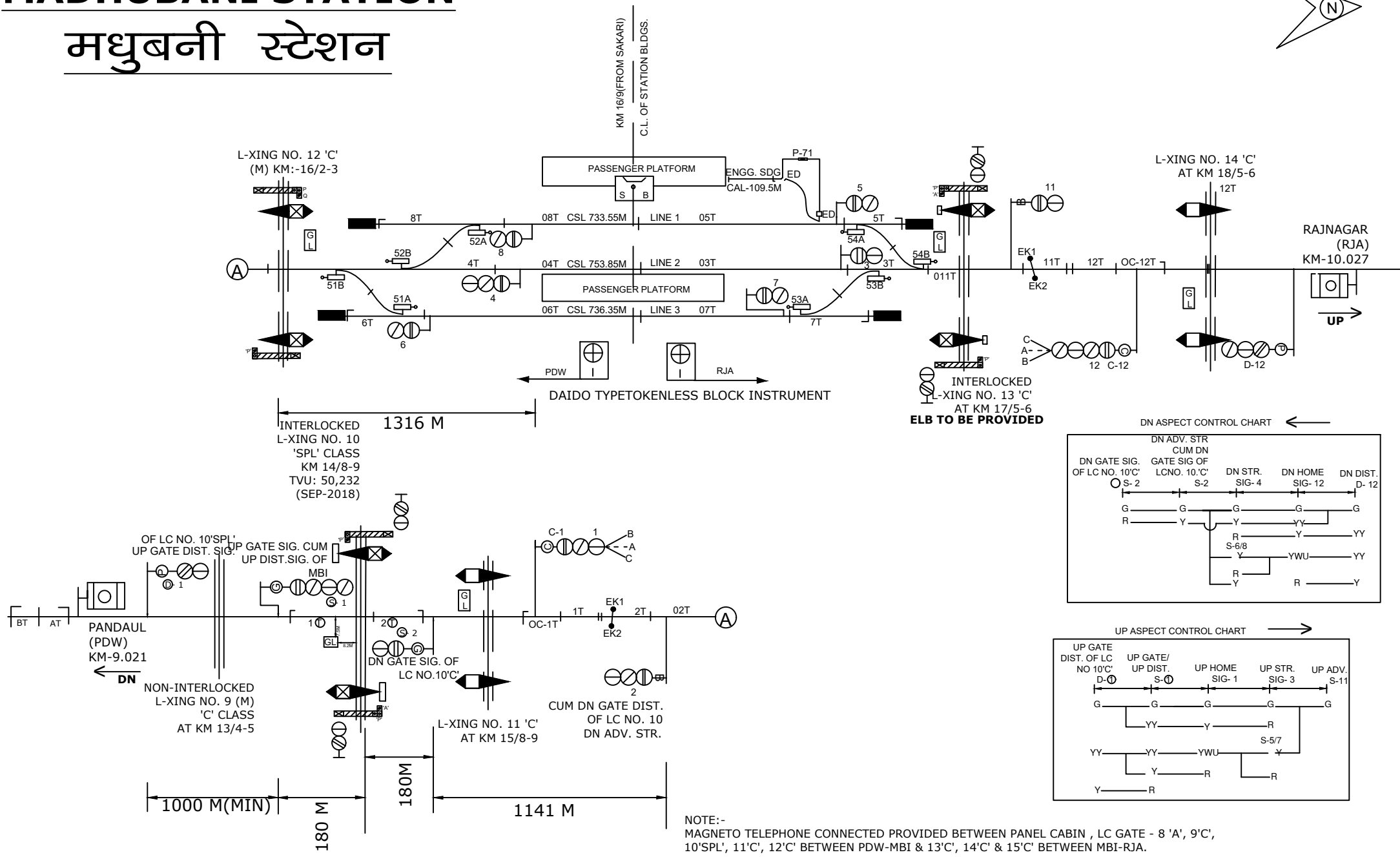
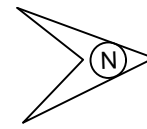


# MADHUBANI STATION

## मधुबनी स्टेशन



NOTE:- MAGNETO TELEPHONE CONNECTED PROVIDED BETWEEN PANEL CABIN , LC GATE - 8 'A', 9'C', 10'SPL', 11'C', 12'C' BETWEEN PDW-MBI & 13'C', 14'C' & 15'C' BETWEEN MBI-RJA.

CLASS OF STATION : B  
STD OF SIG & INTERLOCKING: STD-II®

EAST CENTRAL RAILWAY SAMASTIPUR DIVISION				STATION WORKING RULE DIAGRAM MACL, STD-II® , CLASS 'B'	MADHUBANI	SWRD NO.-
	SR.DSTE/SPJ	DSTE/SPJ	JE/DRG	TO SUIT SIP NO. ECR/SIP/SPJ/381/2014, ALT-VII		SR.DSTE/SPJ/ 2019/RD/12