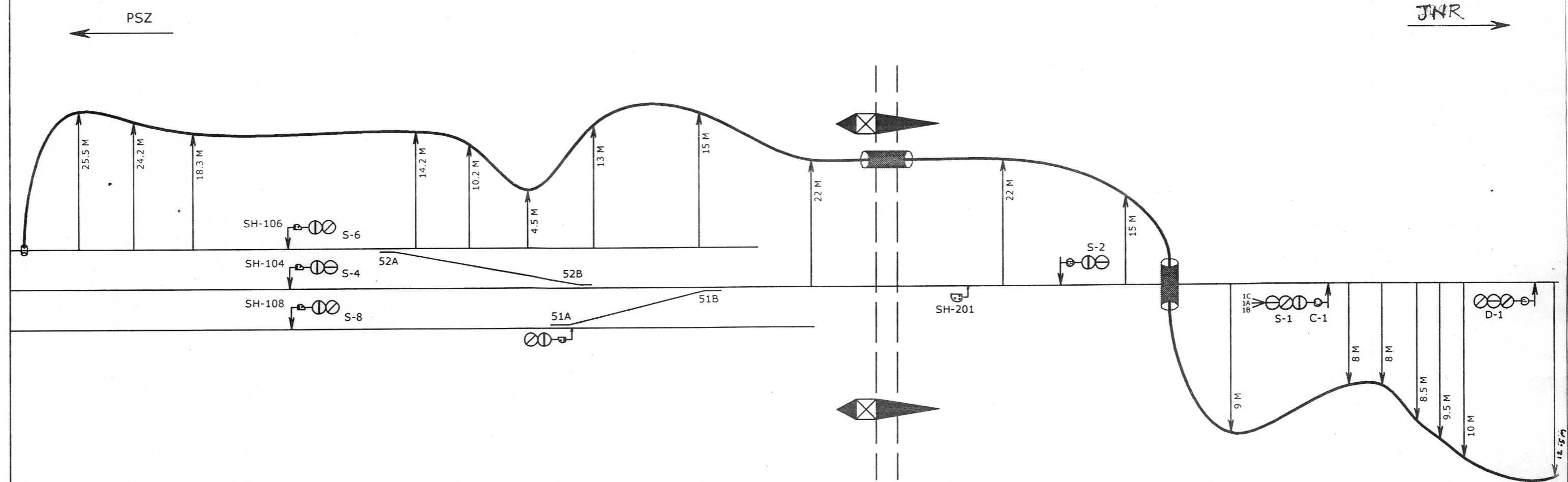
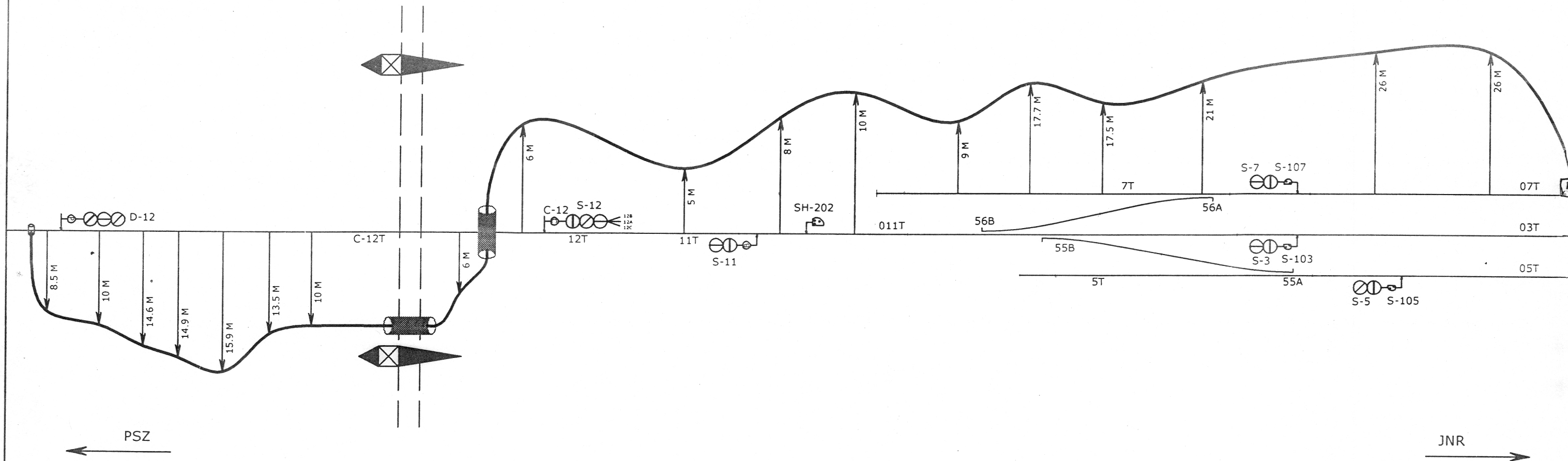


CABLE ROUTE PLAN



PERFECTO ELECTRICALS KOLKATTA		E . C . R SPJ. DIVN	CABLE ROUTE PLAN	BAJPATTI	APPROVED	CHECKED		1/2
S.MALICK	<i>ek</i>				<i>Devesh</i> 26/3/09	<i>Shyam</i> 26.03.09	<i>Shetty</i> 26/3/09	ECR/SIP/SPJ 366/2008
DRAWN	CHECKED				DSTE/C/SPJ.	SE/SIG/C/SPJ.	JE/S/C/SPJ.	

CABLE ROUTE PLAN



PERFECTO ELECTRICALS KOLKATTA		E.C.R SPJ. DIVN	CABLE ROUTE PLAN	<h2 style="margin: 0;">BAJPATTI</h2>			APPROVED	CHECKED		2/2
S.MALICK	<i>OK</i>			<i>Dje</i> 26/3/09	<i>Shyam</i> 26.03.09	<i>Mallika</i> 26/3/09	ECR/SIP/ SPJ/366/2008			
DRAWN	CHECKED			DSTE/C/SPJ.	SE/SIG/C/SPJ.	JE/S/C/SPJ.				